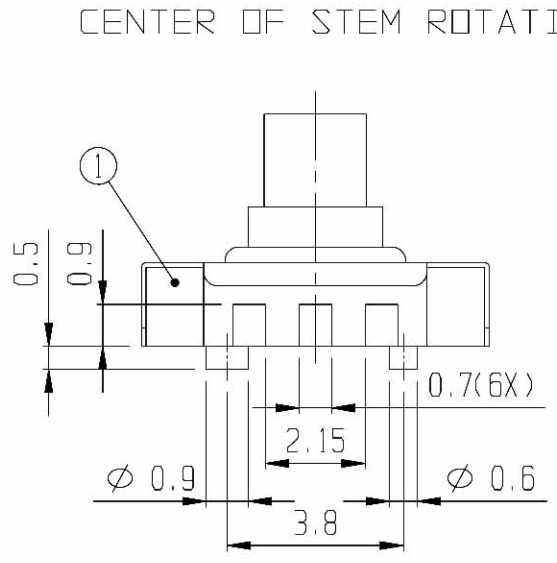
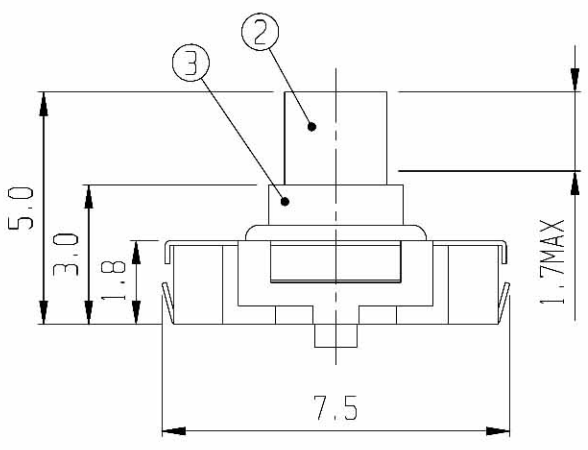
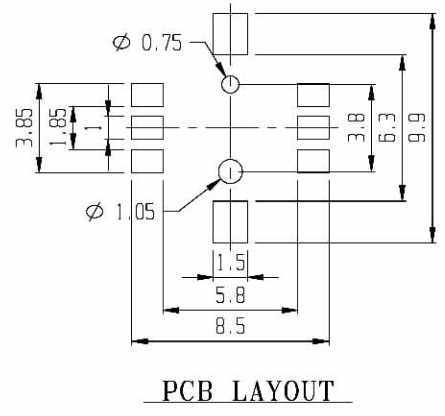
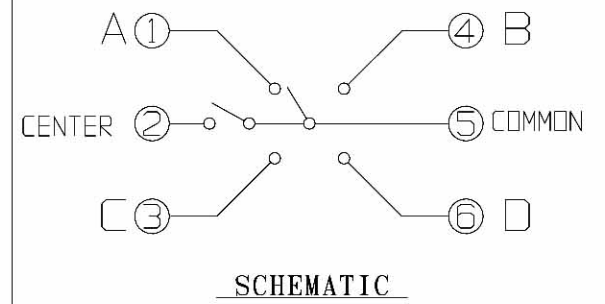
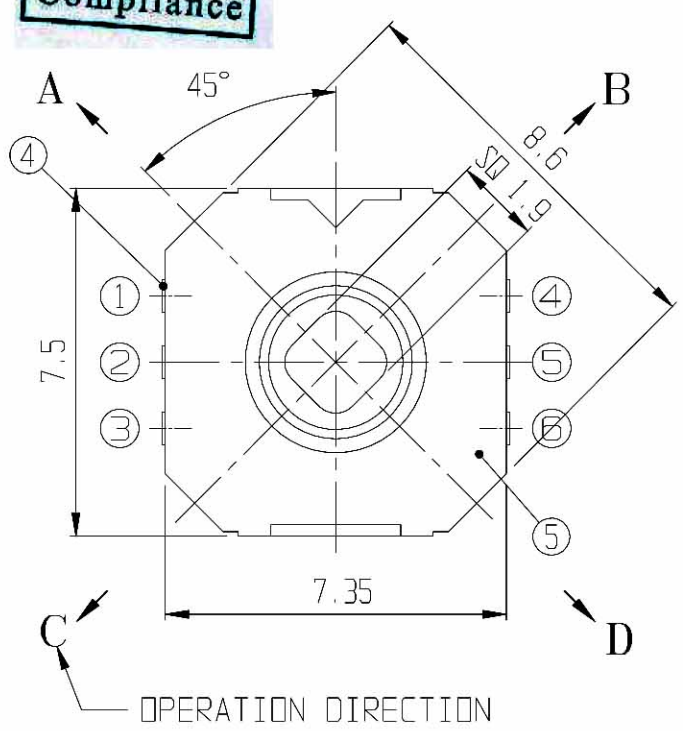


RoHS Compliance



TRAVEL: 4-DIRECTION: 0.3mm, CENTER: 0.15mm

5	COVER BOARD	S U S	1		6	CONTACT	S U S	1	Ag PLATED
3	KNOB2	L C P	1		4	TERMINAL	BRASS	6	Ag PLATED
1	FRAME	NYLON 46	1		2	KNOB1	NYLON 46	1	
NO	PART	MATERIAL	QTY	REMARKS	NO	PART	MATERIAL	QTY	REMARKS

ISSUED	SPECIFICATION	TITLE:	TACT SWITCH
	RATING: DC 12V 50mA	MODEL NO:	TC-16311
	CONTACT RESISTANCE: 500mΩ Max.	TOLERANCE	UNIT: MM
	INSULATION RESISTANCE: 100MΩ at 500V DC	UP TO 1.0:±0.1	SCALE: 6:1
	WITHSTAND VOLTAGE: AC 250V for 1 minute.	1.0 TO 10.0:±0.2	VERSION: 02
	OPERATION FORCE: REFER ATTACH SPECIFICATION	OVER 10.0:±0.3	DRWG NO:
	SWITCHING LIFE: 100k Cycles Min.		

BY: 
DATE: 16-JUN-2006

