

# 11mm Snap-in Insulated Potentiometers

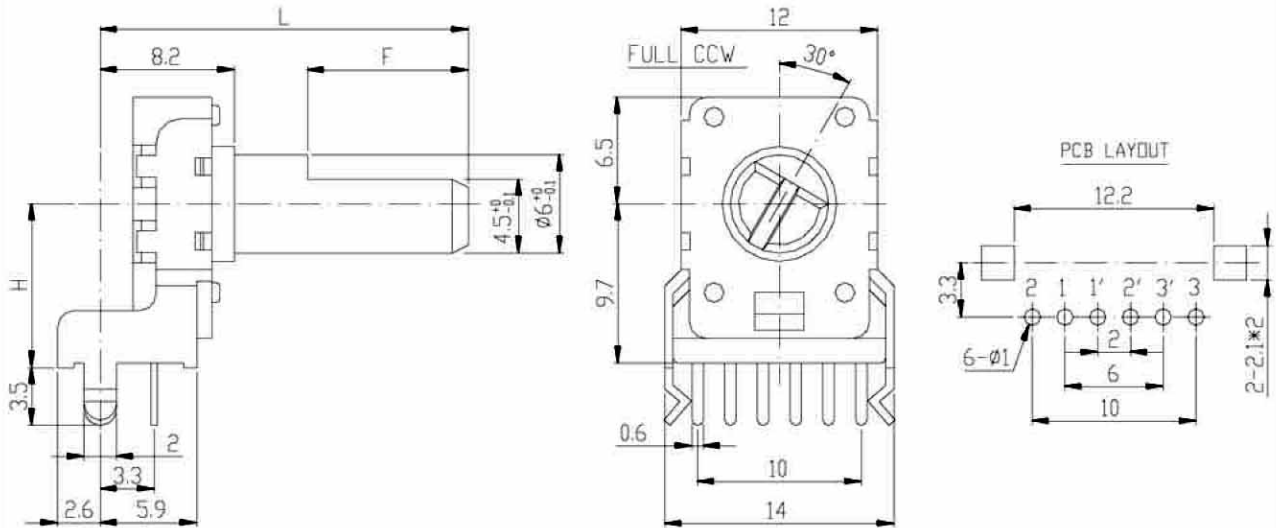


### Part Number

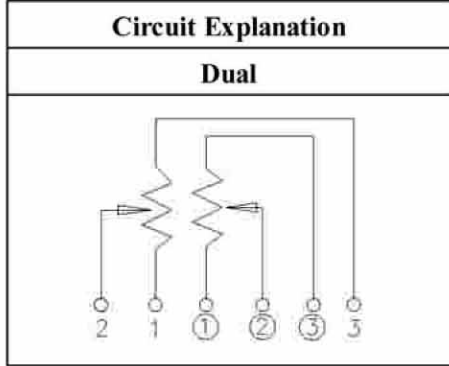
**SIS118G – B 50K , L- 20 F /H=10**

Taper
Shaft Length
High  
Resistance value
Shaft Type

### Dimensions

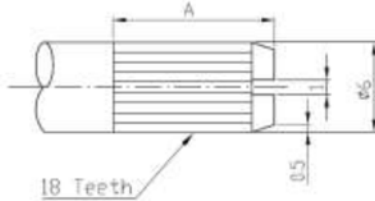


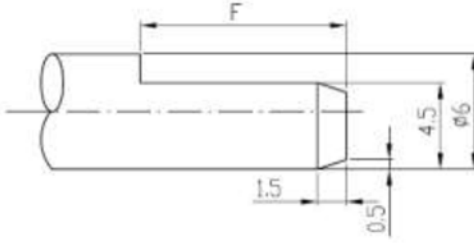
H	10	12.5
---	----	------



## 11mm Snap-in Insulated Potentiometers

### Shaft Type

KC Type						
						
<b>L</b>	12.5	15	17.5	20	22.5	25
<b>A</b>	7	7	12	12	12	12

F Type						
						
<b>L</b>	12.5	15	17.5	20	22.5	25
<b>F</b>	7	7	12	12	12	12