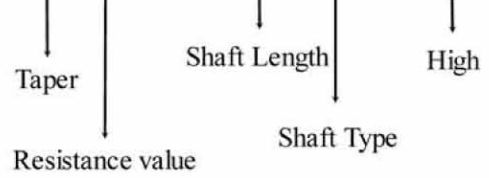


11mm Snap-in Insulated Potentiometers

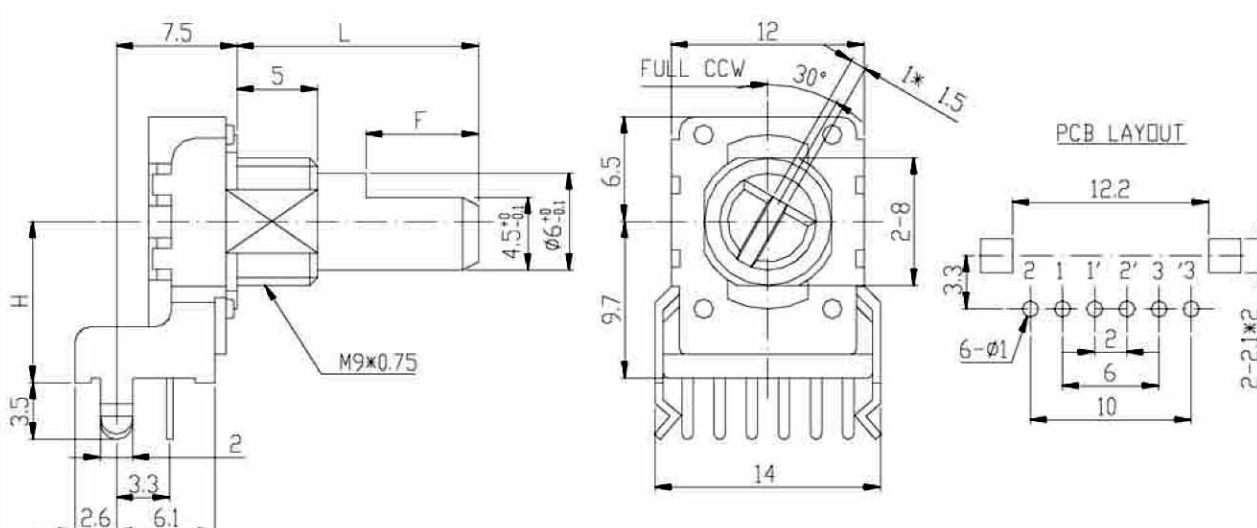


Part Number

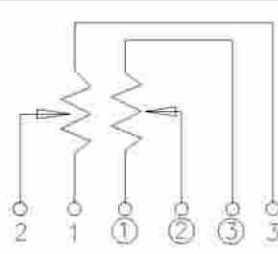
SIS116G – B 50K , L- 20 F /H=10



Dimensions

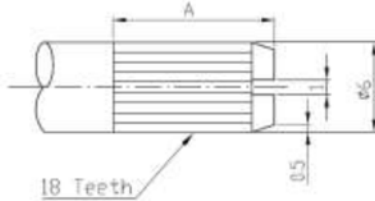


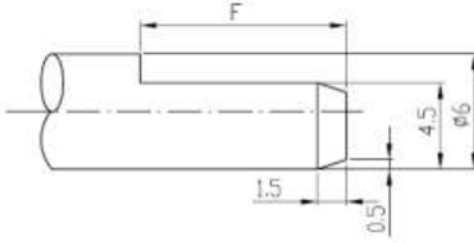
H	10	12.5
----------	-----------	-------------

Circuit Explanation	
Dual	
	

11mm Snap-in Insulated Potentiometers

Shaft Type

KC Type						
						
L	12.5	15	17.5	20	22.5	25
A	7	7	12	12	12	12

F Type						
						
L	12.5	15	17.5	20	22.5	25
F	7	7	12	12	12	12