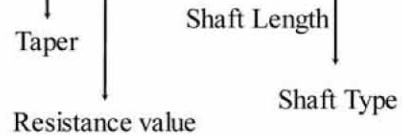


# 11mm Snap-in Insulated Potentiometers

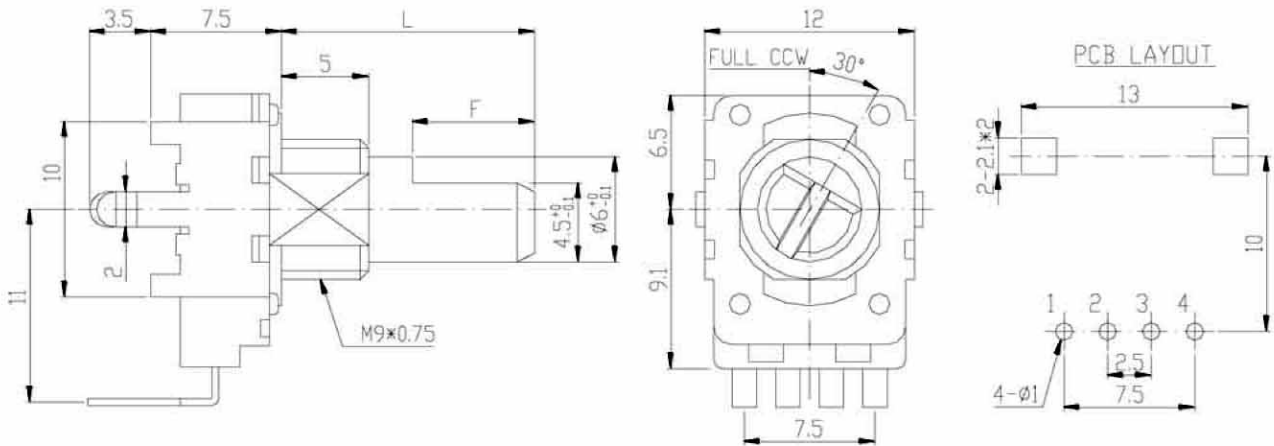


### Part Number

**SIS114N – B 50K , L- 20 F**

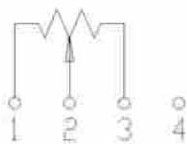


### Dimensions

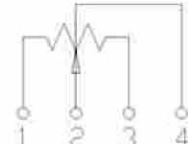


### Circuit Explanation

#### Single Standard

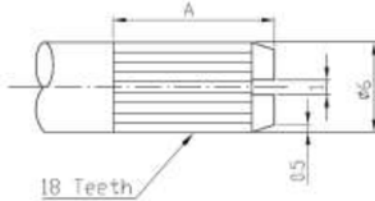


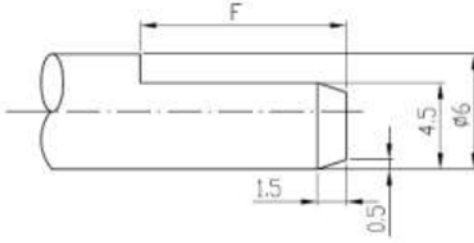
#### Single Center TAP



## 11mm Snap-in Insulated Potentiometers

### Shaft Type

KC Type						
						
<b>L</b>	<b>12.5</b>	<b>15</b>	<b>17.5</b>	<b>20</b>	<b>22.5</b>	<b>25</b>
<b>A</b>	<b>7</b>	<b>7</b>	<b>12</b>	<b>12</b>	<b>12</b>	<b>12</b>

F Type						
						
<b>L</b>	<b>12.5</b>	<b>15</b>	<b>17.5</b>	<b>20</b>	<b>22.5</b>	<b>25</b>
<b>F</b>	<b>7</b>	<b>7</b>	<b>12</b>	<b>12</b>	<b>12</b>	<b>12</b>