

11mm Snap-in Insulated Potentiometers

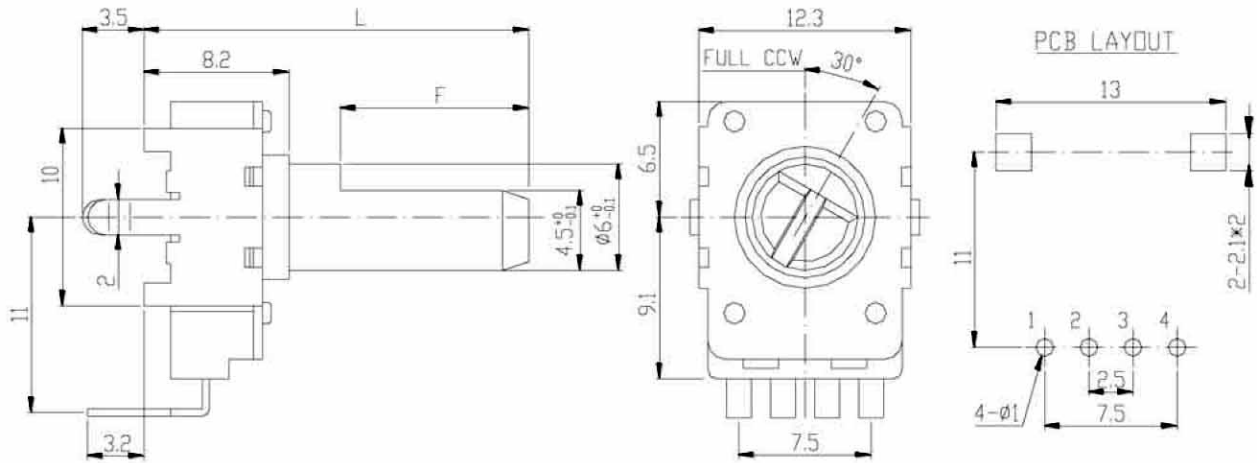


Part Number

SIS112N – B 50K , L- 20 F

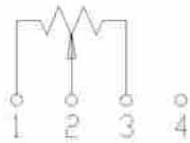
Taper Shaft Length
 Resistance value Shaft Type

Dimensions



Circuit Explanation

Single Standard



Single Center TAP

