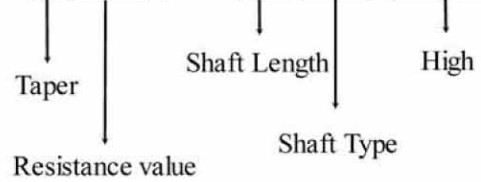


11mm Snap-in Insulated Potentiometers

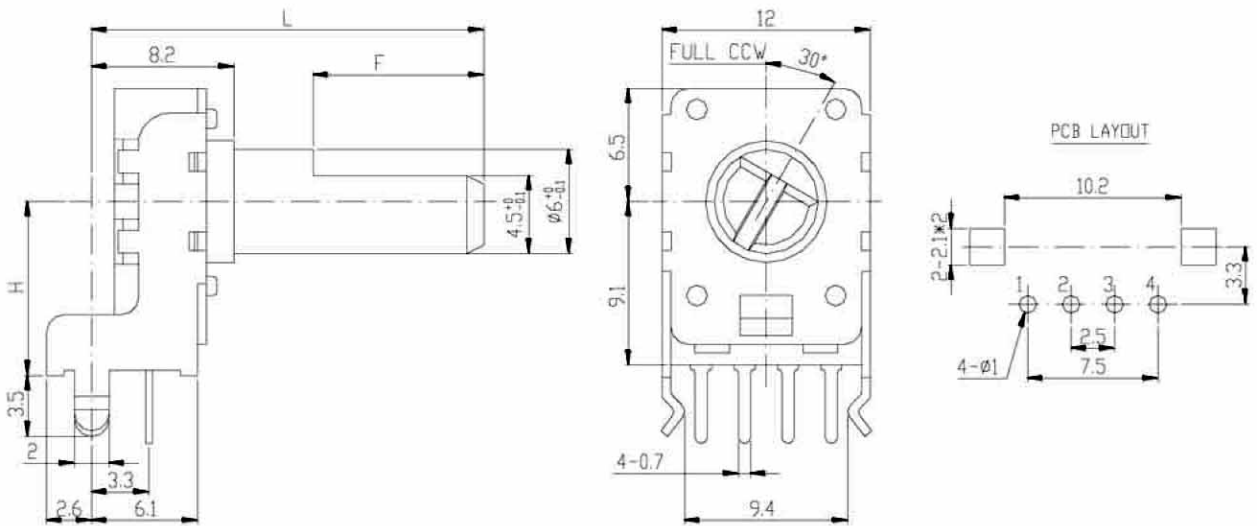


Part Number

SIS11N – B 50K , L- 20 F /H=10



Dimensions



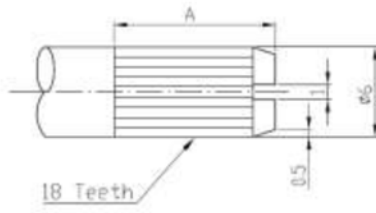
H	10	12.5
----------	-----------	-------------

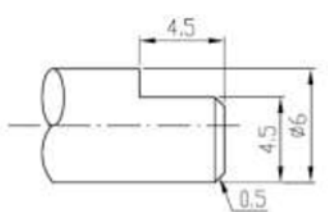
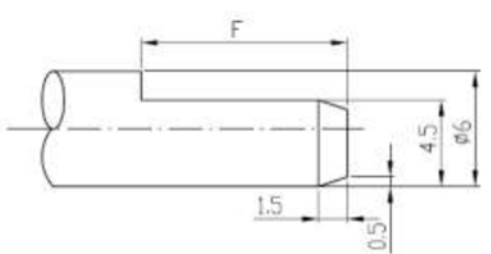
Circuit Explanation

Single Standard	Single Center TAP

11mm Snap-in Insulated Potentiometers

Shaft Type

KC Type							
							
L	15	20	22.5	25	27.5	30	32.5
A	4.5	7	12	12	12	12	12

F Type							
<div style="display: flex; flex-direction: column; align-items: center;"> <div style="display: flex; align-items: center; margin-bottom: 20px;"> <div style="margin-right: 20px;">Only L=15F</div>  </div> <div style="display: flex; align-items: center;"> <div style="margin-right: 20px;">Others</div>  </div> </div>							
L	15	20	22.5	25	27.5	30	32.5
F	4.5	7	7	12	12	12	12