

**16mm Metal Shaft Rotary Potentiometer – With Switch**



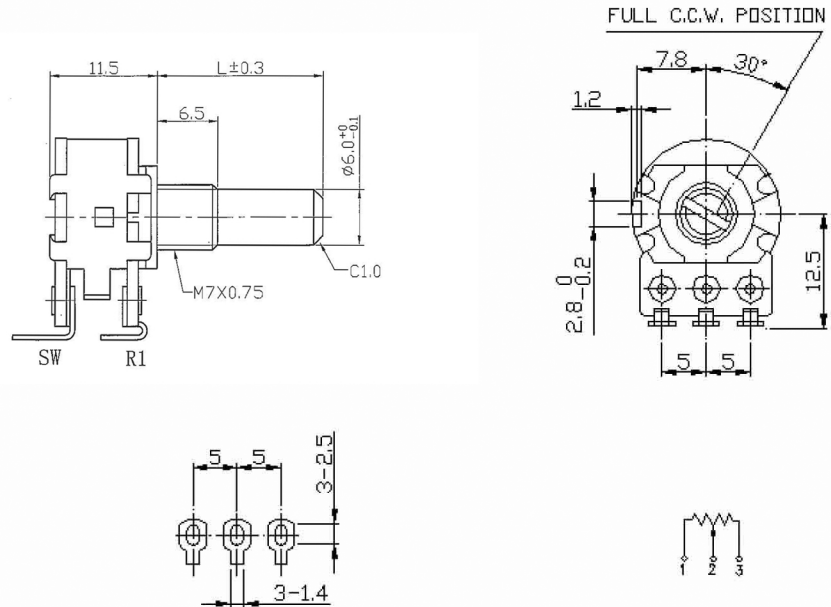
**S16S1**

**Part Number**

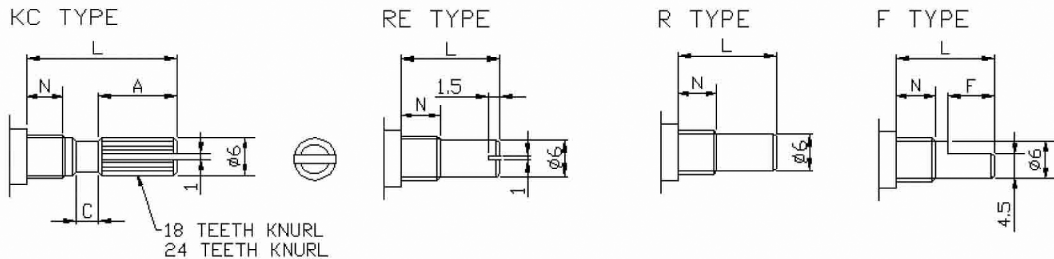
**S16S1-GFNT- B 50K, L - 20 KC**

↓ Taper    ↓ Resistance Value    ↓ Shaft Length    ↓ Shaft Type

**Dimensions**



**Shaft Type**



N:5m/m

SHAFT-TYPE	L	10	15	20	25	30	35	40
KC	A	3.2	6	10	12	12	12	12
	C	0.5	1	2	2	4	4	4
F	F	4	7	12	12	12	12	12
R,RE	L	10	15	20	25	30	35	40

N:6.5m/m

SHAFT-TYPE	L	10	15	20	25	30	35	40
KC	A	2.2	6	10	12	12	12	12
	C	0.5	1	2	2	4	4	4
F	F	2.5	7	12	12	12	12	12
R,RE	L	10	15	20	25	30	35	40