

# 16mm Metal Shaft Rotary Potentiometer – With Switch



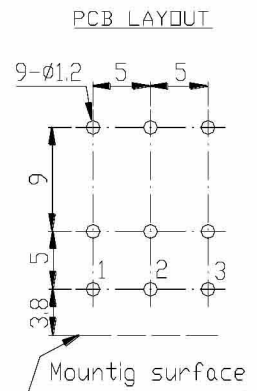
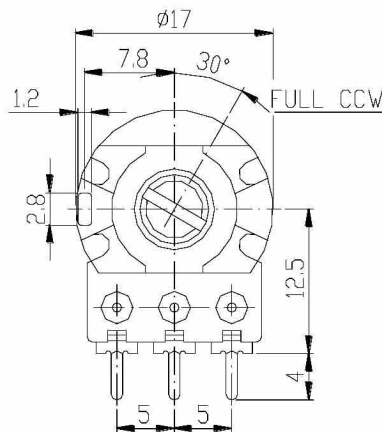
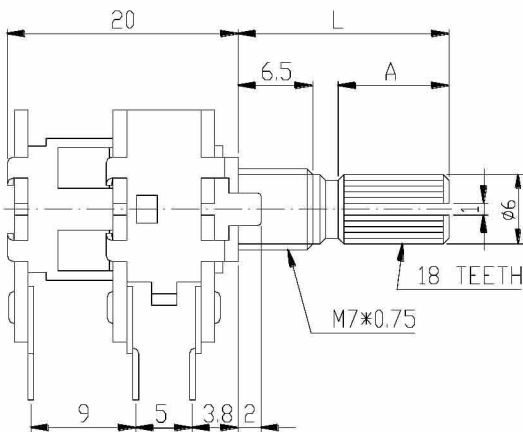
**S16PD**

### Part Number

**S16PD - B 50K, L - 20 KC**

↓ Taper      ↓ Resistance Value      ↓ Shaft Type  
 ↓ Shaft Length

### Dimensions



#### CIRCUIT



L	15	17	20	25
A	6	8	10	12