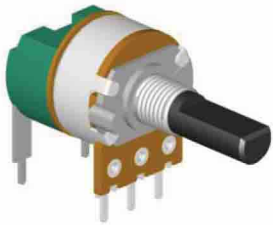


16mm Metal Shaft Rotary Potentiometer – With Switch

S16P3



Part Number

S16P3 – B 50K, L - 20 F

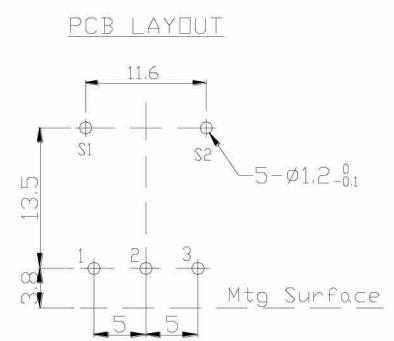
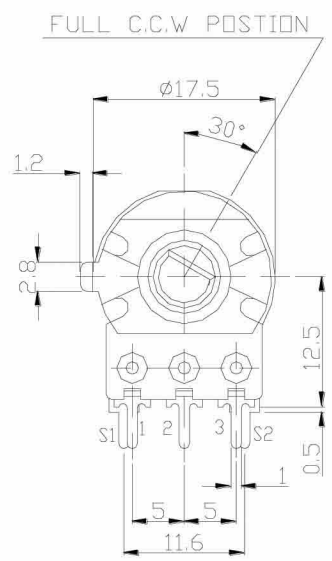
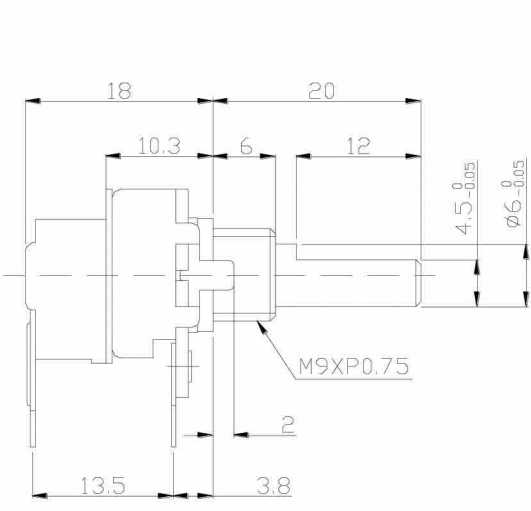
Taper
r

Resistance value

Shaft Length

Shaft Type

Dimensions



CIRCUIT

