

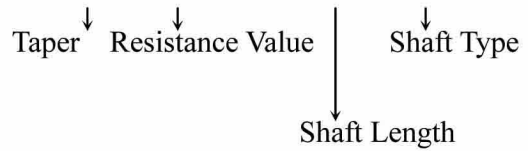
16mm Metal Shaft Rotary Potentiometer – With Switch

S16P2/5PIN

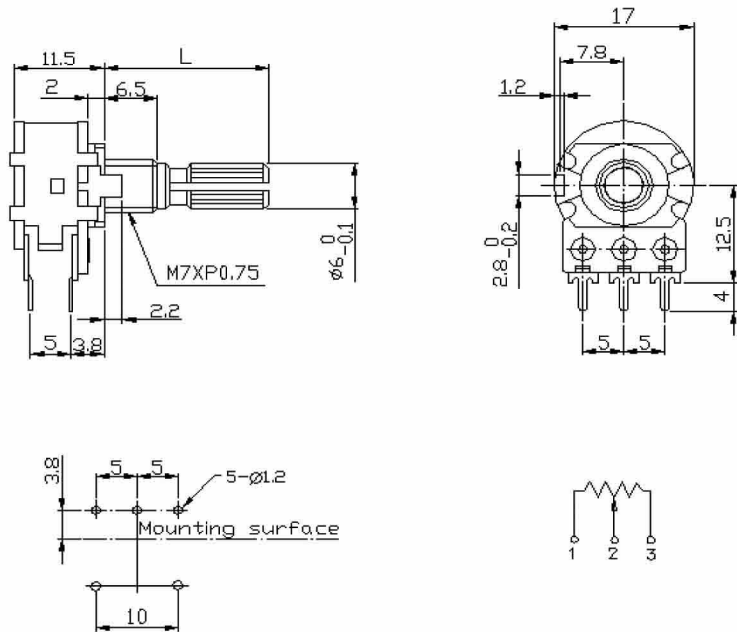


Part Number

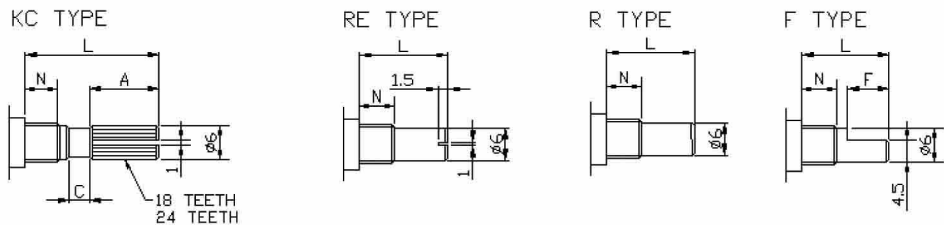
S16P2/5PIN - B 50K, L - 20 KC



Dimensions



Shaft Type



Ni6.5m/m

SHAFT-TYPE	L	10	15	20	25	30	35	40
KC	A	2.2	6	10	12	12	12	12
	C	0.5	1	2	2	4	4	4
F	F	2.5	7	12	12	12	12	12
R,RE	L	10	15	20	25	30	35	40