

16mm Snap-in Insulated Shaft Potentiometers

PS162B

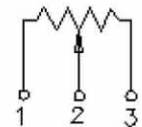
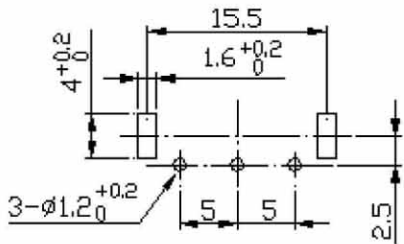
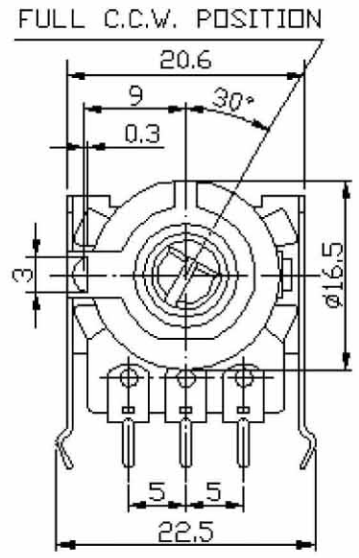
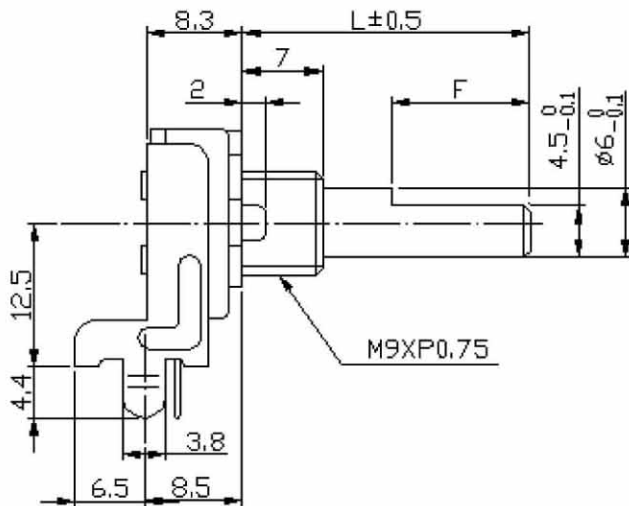


Part Number

PS162B - B 50K, L - 20 F

↓ Taper ↓ Resistance Value ↓ Shaft Length
 ↓ Shaft Type

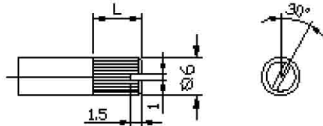
Dimensions



16mm Snap-in Insulated Shaft Potentiometers

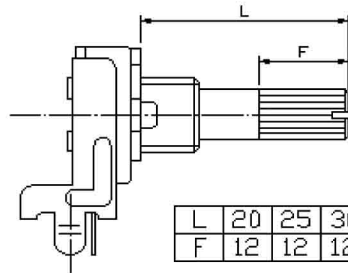
Shaft Dimensions

KC TYPE
18TEETH

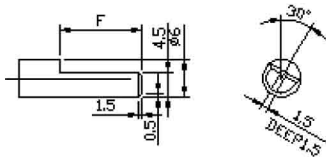


SHAFT SHOWN IN
FULL C.C.W. POSITION

HORIZONTAL WITH BUSHING

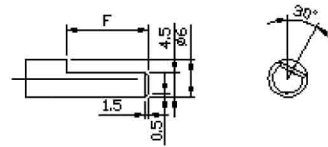


F Type



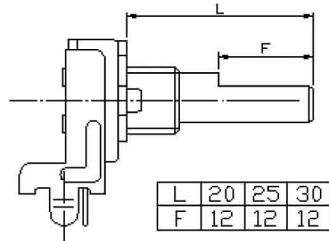
SHAFT SHOWN IN
FULL C.C.W. POSITION

F Type

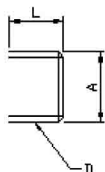


SHAFT SHOWN IN
FULL C.C.W. POSITION

Horizontal with bushing

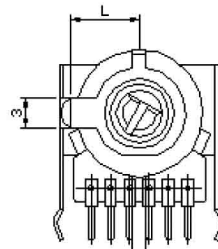


Bushing Dimension



L	A	D	
7	ø9	M9x0.75	STD

Stopper Dimension



L	
9	SATNDARD