

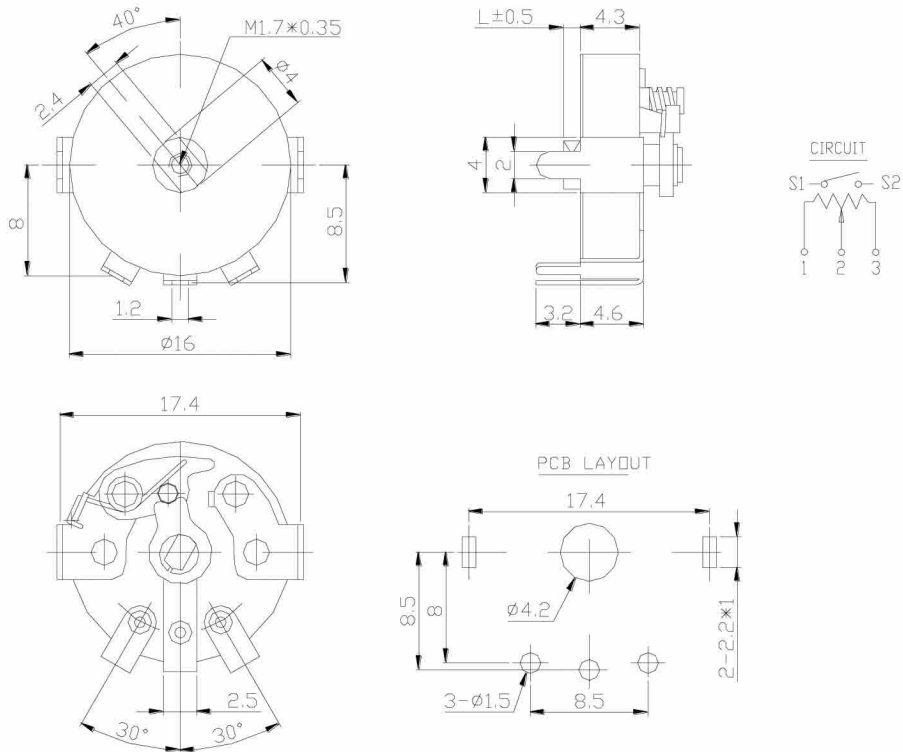
16mm Molded Case Rotary Potentiometer



Part Number

MC16SD - B 50K , L - 1.2
 ↓ ↓
 Type Shaft length
 ↓
 Resistance value

Dimensions



Shaft Type

No Tap Type		Tap Type		Slotted Type	
L	1.5-5.0	L	1.0-5.0	L	1.5-5.0
A	2.2±0/0.1	A	2.2±0/0.1	A	2.2±0/0.1
D	$\phi 3.5$	D	$\phi 3.5$	D	$\phi 3.5$