

16mm Molded Case Rotary Potentiometer



Part Number

MC16SC - B 50K , L - 1.2

↓

Type

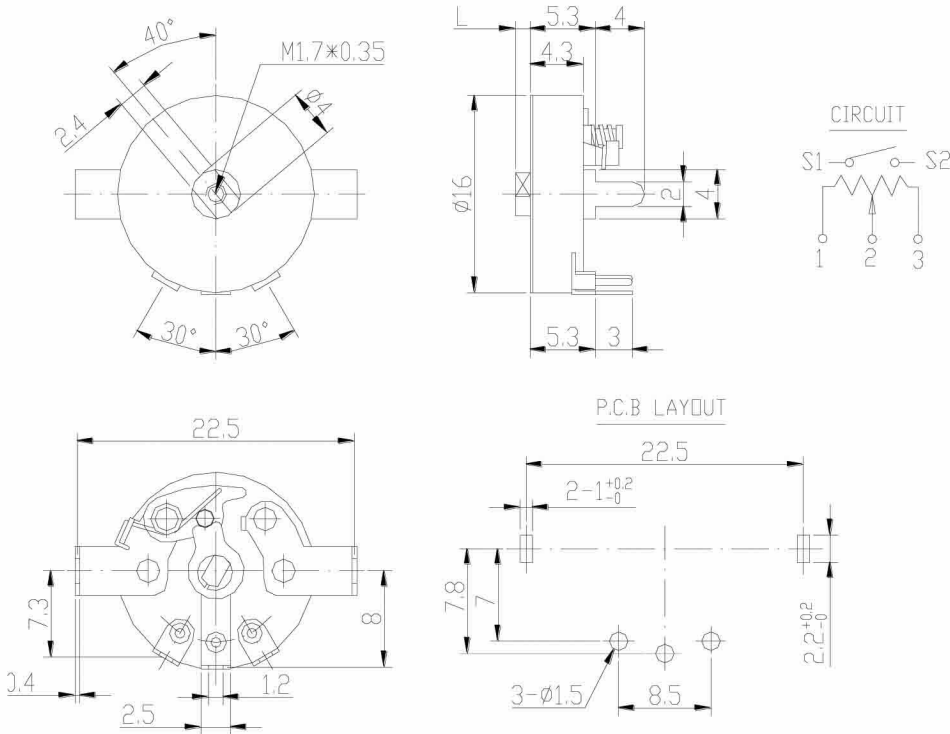
↓

Resistance value

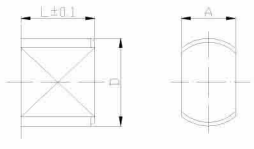
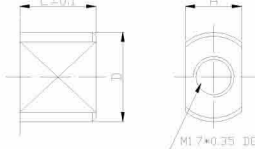
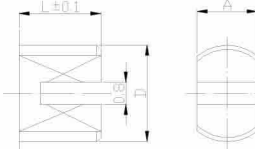
↓

Shaft length

Dimensions



Shaft Type

No Tap Type		Tap Type		Slotted Type	
					
L	1.5-5.0	L	1.0-5.0	L	1.5-5.0
A	2.2±0/0.1	A	2.2±0/0.1	A	2.2±0/0.1
D	φ3.5	D	φ3.5	D	φ3.5