

## 16mm Molded Case Rotary Potentiometer

MC16SA



### Part Number

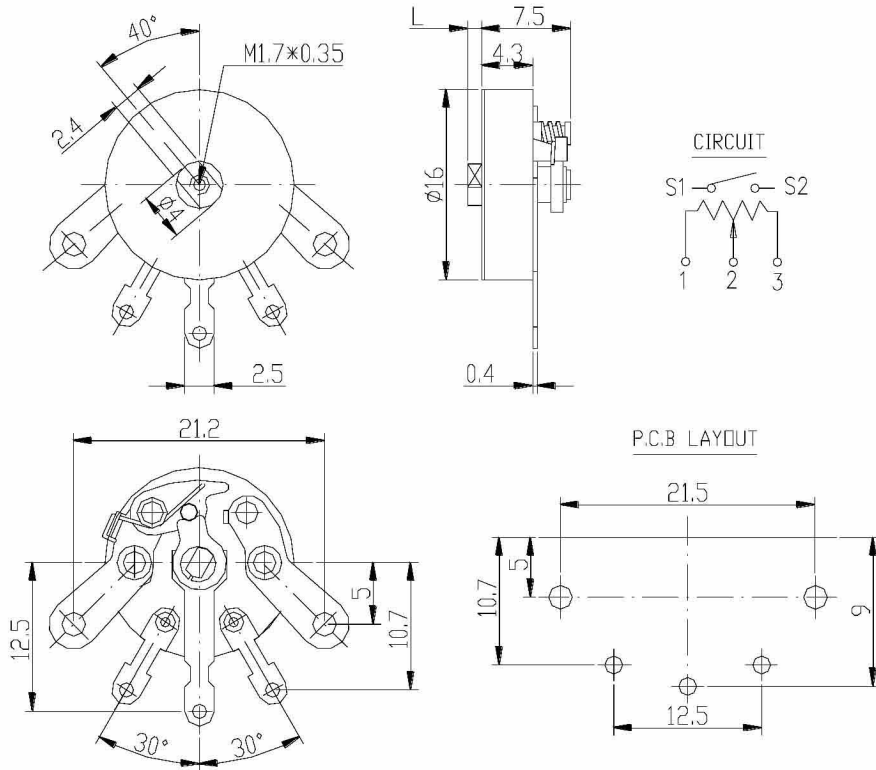
MC16SA - B 50K , L - 1.2

Type

Shaft length

Resistance value

### Dimensions



### Shaft Type

No Tap Type		Tap Type		Slotted Type	
L	1.5-5.0	L	1.0-5.0	L	1.5-5.0
A	2.2±0/0.1	A	2.2±0/0.1	A	2.2±0/0.1
D	φ3.5	D	φ3.5	D	φ3.5