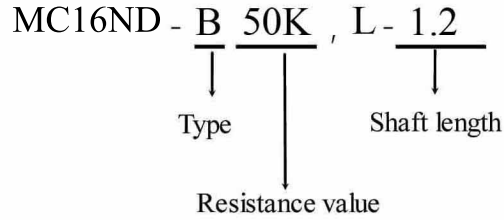


**16mm Molded Case Rotary Potentiometer**

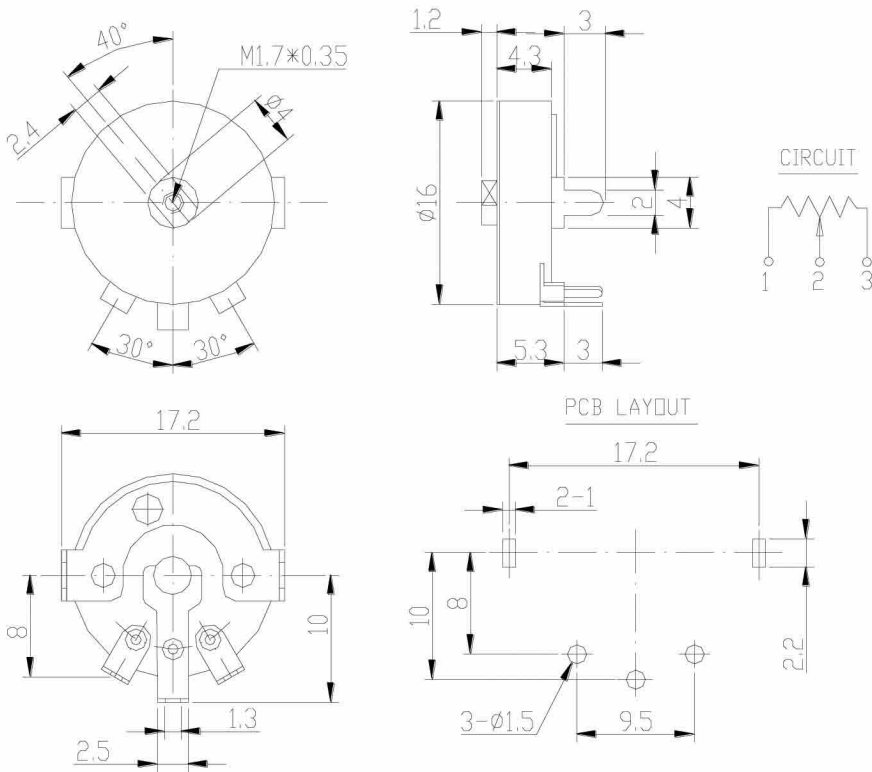
**MC16ND**



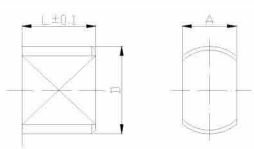
**Part Number**

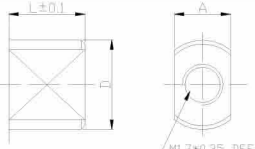


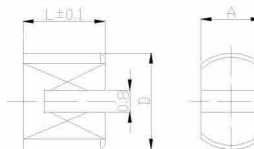
**Dimensions**



**Shaft Type**

No Tap Type	
	
L	1.5-5.0
A	2.2±0/0.1
D	φ3.5

Tap Type	
	
L	1.0-5.0
A	2.2±0/0.1
D	φ3.5

Slotted Type	
	
L	1.5-5.0
A	2.2±0/0.1
D	φ3.5