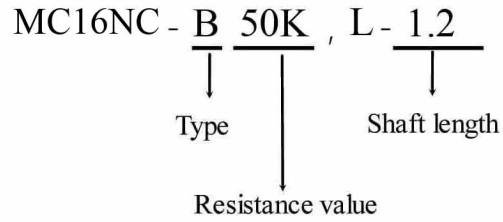


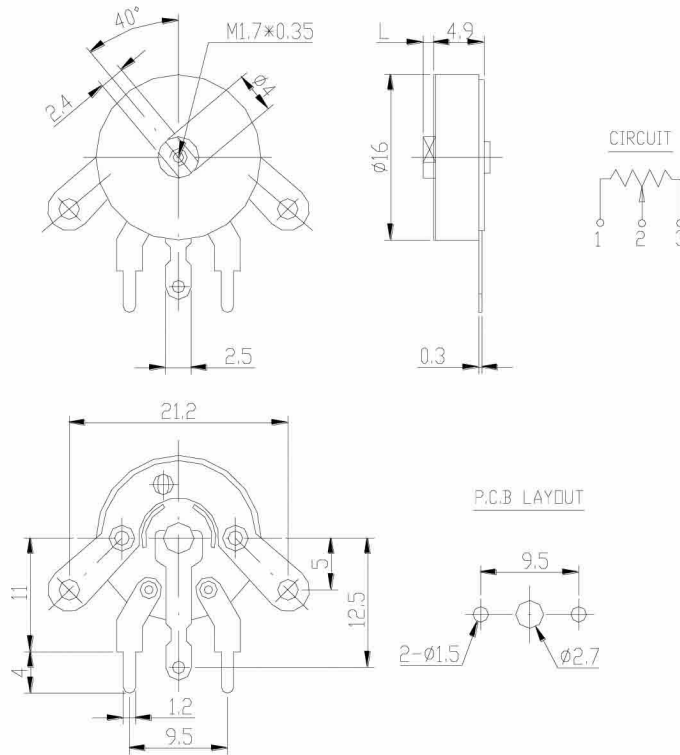
16mm Molded Case Rotary Potentiometer



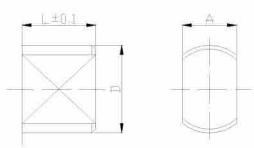
Part Number

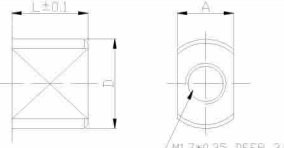


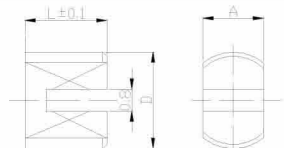
Dimensions



Shaft Type

No Tap Type	
	
L	1.5-5.0
A	2.2±0/0.1
D	$\phi 3.5$

Tap Type	
	
L	1.0-5.0
A	2.2±0/0.1
D	$\phi 3.5$

Slotted Type	
	
L	1.5-5.0
A	2.2±0/0.1
D	$\phi 3.5$