

## 16mm Molded Case Rotary Potentiometer

**MC16NB-1**



### Part Number

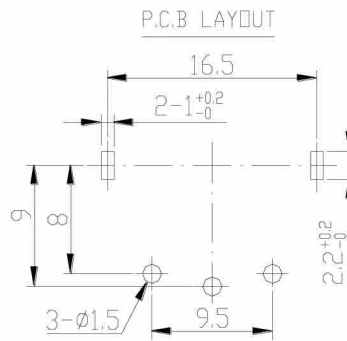
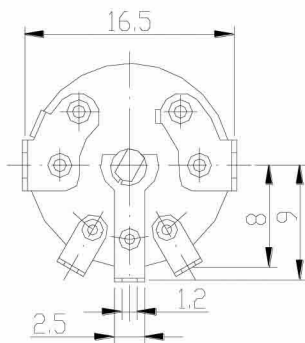
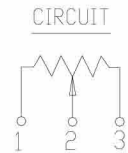
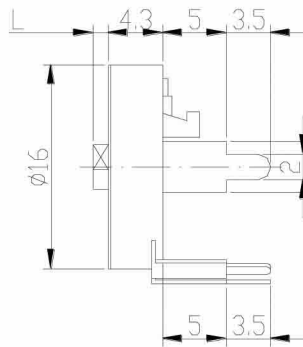
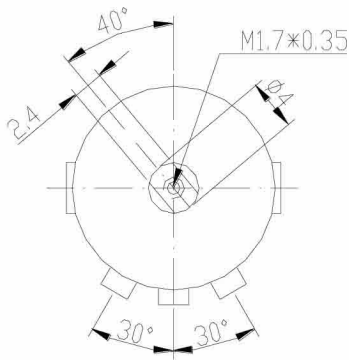
MC16NB-1- B 50K , L- 1.2

Type


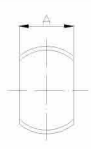
Shaft length


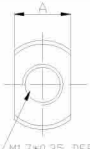
Resistance value

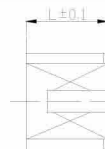

### Dimensions



### Shaft Type

No Tap Type	
	
L	1.5-5.0
A	2.2±0/0.1
D	φ3.5

Tap Type	
	
L	1.0-5.0
A	2.2±0/0.1
D	φ3.5

Slotted Type	
	
L	1.5-5.0
A	2.2±0/0.1
D	φ3.5