

12mm Molded Case Rotary Potentiometer

MC12SG



Part Number

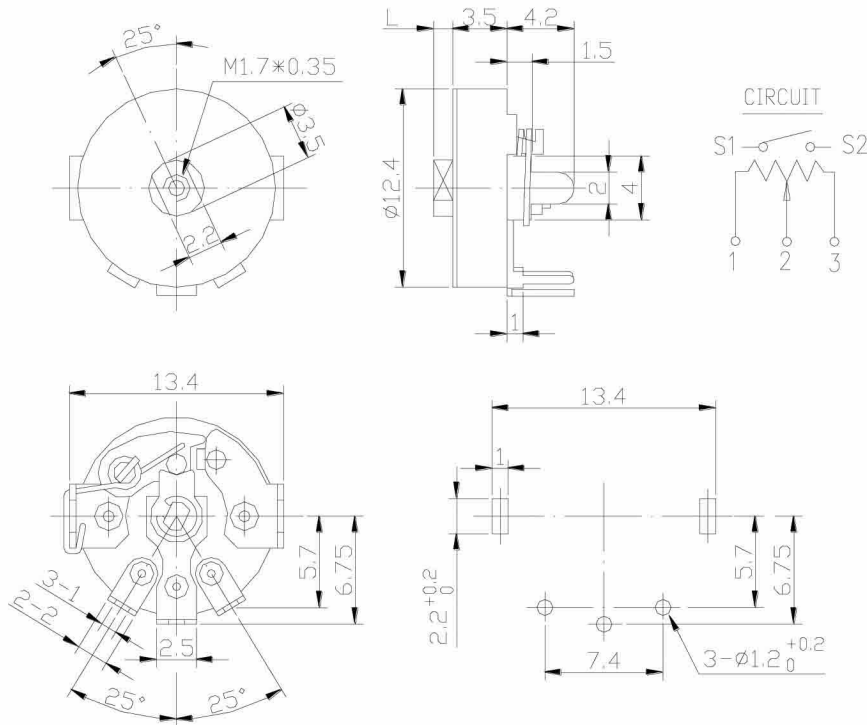
MC12SG - B 50K , L - 1.2

Type

Shaft length

Resistance value

Dimensions



Shaft Type

No Tap Type	
L	1.5-5.0
A	2.2±0/0.1
D	φ3.5

Tap Type	
L	1.0-5.0
A	2.2±0/0.1
D	φ3.5

Slotted Type	
L	1.5-5.0
A	2.2±0/0.1
D	φ3.5