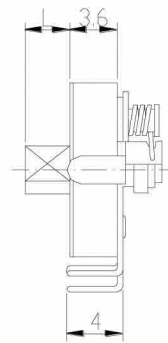
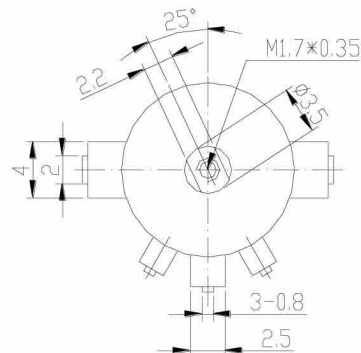
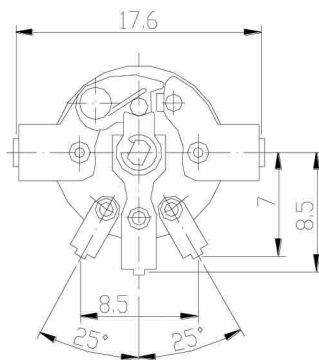
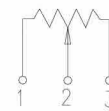
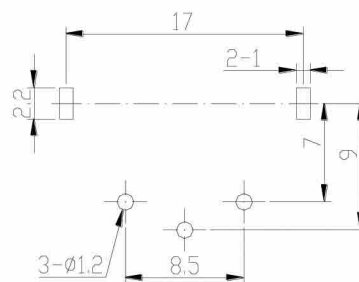


12mm Molded Case Rotary Potentiometer**MC12SE****Part Number**MC12SE - B 50K , L - 1.2

Type

Shaft length

Resistance value

Dimensions**CIRCUIT****P.C.B LAYOUT****Shaft Type**

No Tap Type	
L	1.5-5.0
A	2.2±0/0.1
D	φ3.5

Tap Type	
L	1.0-5.0
A	2.2±0/0.1
D	φ3.5

Slotted Type	
L	1.5-5.0
A	2.2±0/0.1
D	φ3.5