

12mm Molded Case Rotary Potentiometer

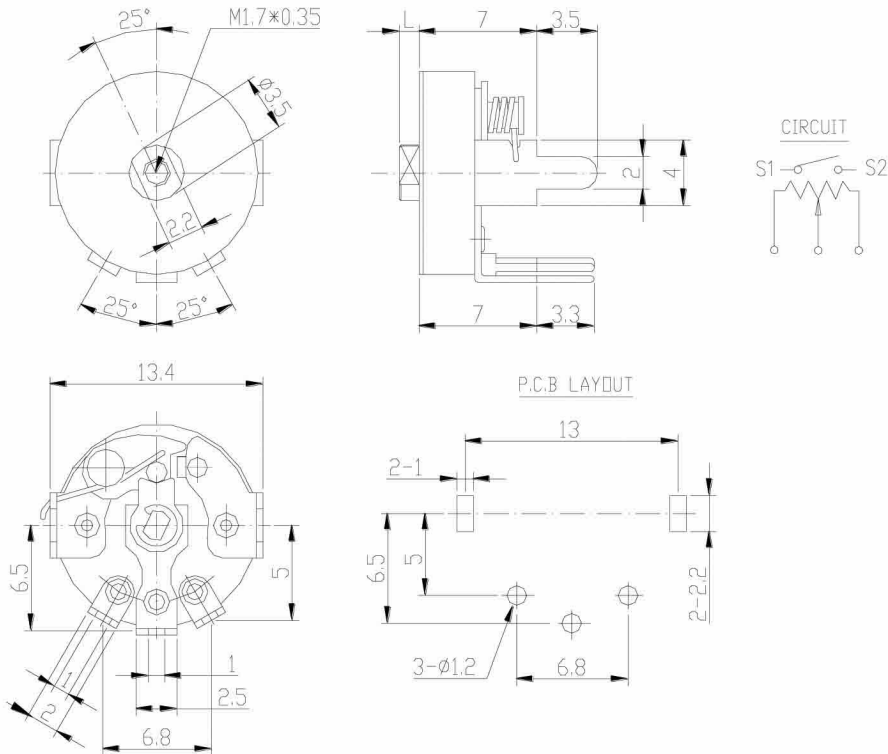
MC12SD



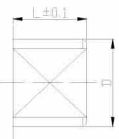

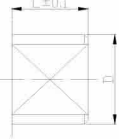
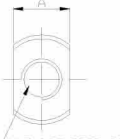
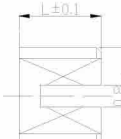
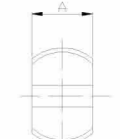
Part Number

MC12SD - B 50K , L - 1.2
 ↓ ↓ ↓
 Type Resistance value Shaft length

Dimensions



Shaft Type

No Tap Type		Tap Type		Slotted Type	
					
L	1.5-5.0	L	1.0-5.0	L	1.5-5.0
A	2.2±0/0.1	A	2.2±0/0.1	A	2.2±0/0.1
D	φ3.5	D	φ3.5	D	φ3.5