

12mm Molded Case Rotary Potentiometer

MC12ND

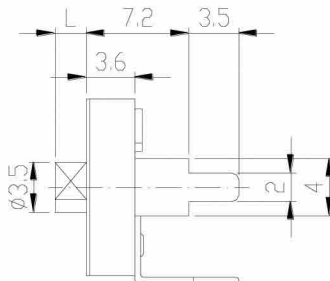
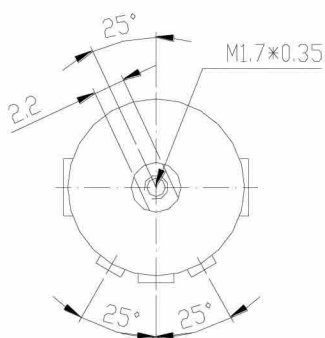


Part Number

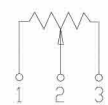
MC12ND - B 50K , L - 1.2

Type Resistance value Shaft length
 ↓ ↓ ↓

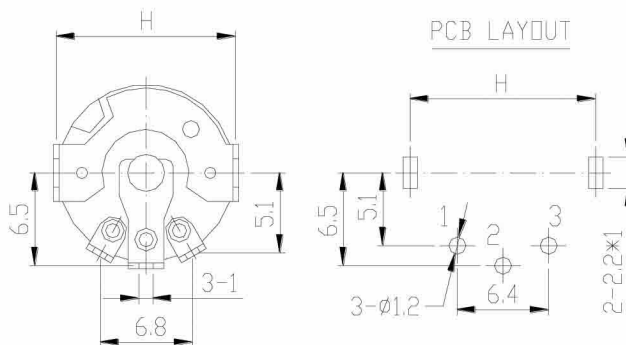
Dimensions



CIRCUIT



PCB LAYOUT



Model	H
MC12ND	13 mm
MC12ND-1	15 mm

Shaft Type

No Tap Type		Tap Type		Slotted Type	
L	1.5-5.0	L	1.0-5.0	L	1.5-5.0
A	2.2±0/0.1	A	2.2±0/0.1	A	2.2±0/0.1
D	φ3.5	D	φ3.5	D	φ3.5