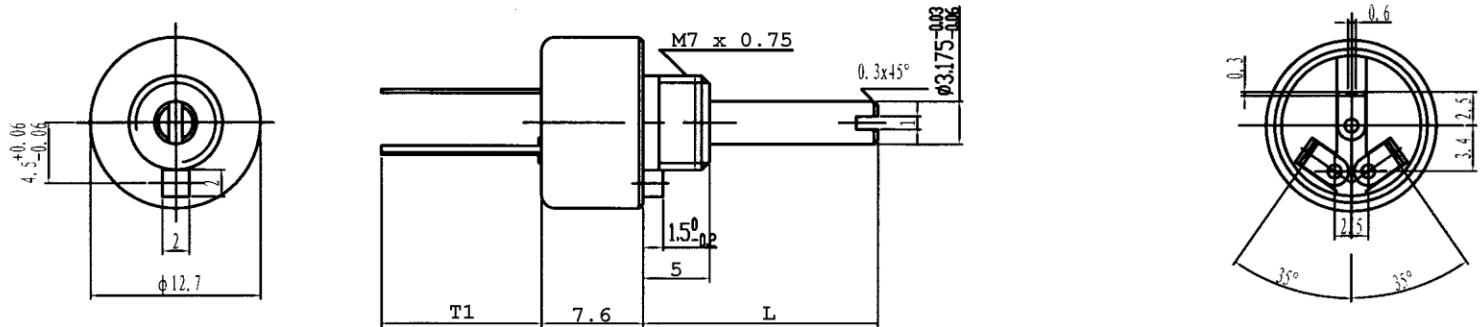


**Electrical Characteristics**

Range of Resistance Values: 500 ohm to 5 meg ohm  
 Tolerance:  $\pm 10\%$   
 Tapers: Linear (B), Logarithmic (A), Anti-logarithmic (C)  
 Independent Linearity:  $\pm 5\%$   
 Electrical Angle of Rotation:  $270^\circ \pm 5$   
 Contact Resistance Variation:  $\pm 1\%$   
 Temperature Coefficient:  $\pm 100$  ppm  
 Power Rating (@  $70^\circ\text{C}$ ): 1 Watt (linear taper); 0.5 Watt (log tapers)  
 Operating Temperature:  $-55^\circ\text{C} \sim +125^\circ\text{C}$

**Mechanical Characteristics**

Resistance Element: Carbon  
 Substrate: Alumina of high Purity  
 Wiper Torque: Single Section - 0.2 to 3.0 oz-in.  
                   Dual or Triple - 0.3 to 4.5 oz-in.  
 Mechanical Angle of Rotation:  $295^\circ \pm 5$   
 Rotational Life: 100,000 cycles  
 Maximum Torque at End Stops:  $> 40$  N-cm (56.644 oz-in)



DESIGNED_BY RICHARD 08/09/04		CHECKED_BY	APPROVED_BY_DATE AIGGIE 08/09/04	FILENAME XXX	DATE 08/09/04	SCALE 1:2
			CA13ST-H Series			
			Potentiometer	EDITION 0	SHEET 1/1	