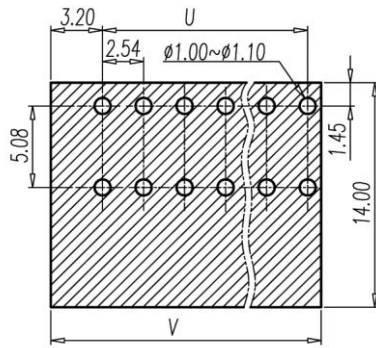
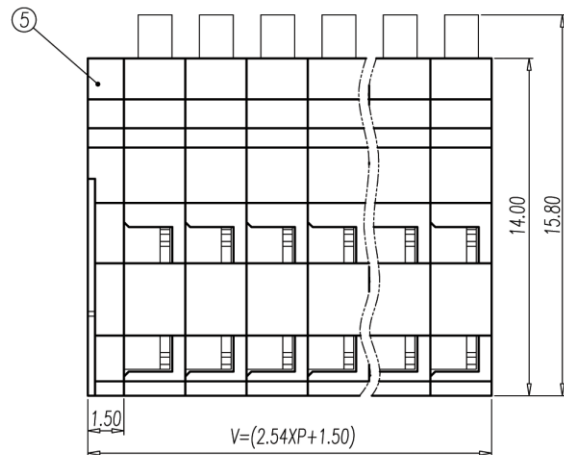
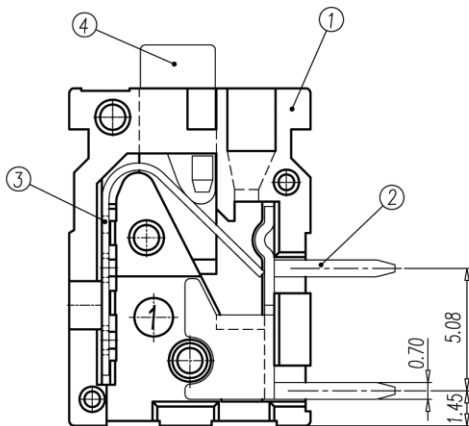
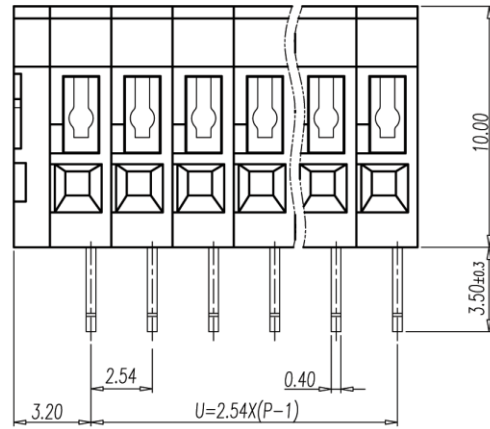


Product Drawing



PCB LAYOUT



Page: 1		Date: 2011-01-13		Description: Standard Outline Drawing	
of: 1		Revision: 1.0		P/N VNS1381R-2.54	