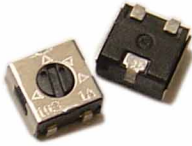


CE4ST-SMD series 4mm Square SMD Trimming potentiometer



Features

- Surface Mount 4mm Square
- Single-turn / Cermet / Industrial / Sealed
- Compatible with SMT processes
- Compatible with popular vacuum pick-and-place equipment

Electrical Characteristics

Standard Resistance Range
10 to 2 megohms
(see standard resistance table)

Resistance Tolerance
±10% std.
(tighter tolerance available)

Absolute Minimum Resistance
1% or 2 ohms max.
(whichever is greater)

Contact Resistance Variation
3% or 3 ohms max.
(whichever is greater)

Resolution
Essentially Infinite

Insulation Resistance
500 vdc
1,00 megohms min.

Dielectric Strength
101.3 kPa 600 vac
8.5 kPa 250 vac

Effective Travel
210° nom.

Environmental Characteristics

Power Rating (200 volts max.)
0.25 watt (70°C), 0 watt (125°C)

Temperature Range
-55°C to +125°C

Temperature Coefficient
±100ppm/°C

Vibration
98 m/s²
(1% Δ TR; 1% Δ VR)

Shock
490 m/s²
(1% Δ TR; 1% Δ VR)

Load Life
1,000 hours 0.25 watt @ 70°C
(3% Δ TR; 3% or 3 ohm,
whichever is greater, CRV)

Rotational Life
100 cycles
(3% Δ TR; 3% or 3 ohm,
whichever is greater, CRV)

Thermal Shock
5 cycles
(2% Δ TR; 1% Δ VR)

Physical Characteristics

Mechanical Angle
270° nom.

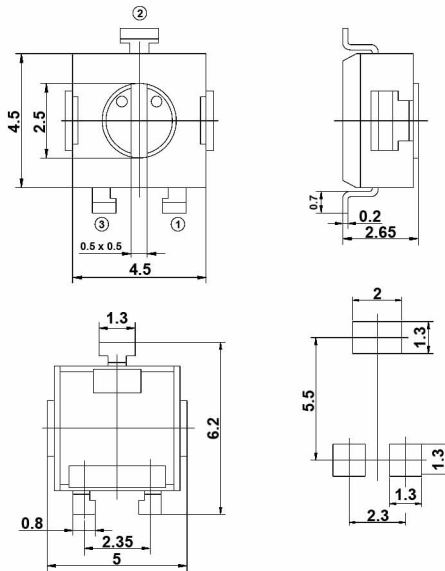
Torque
18 mN • m max.

Stop Strength
30 mN • m min.

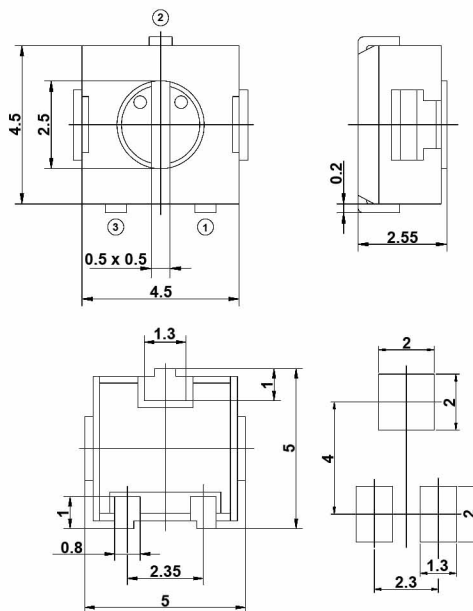
Wiper
Set at 50% nominal

Dimension

Series CE4ST-SMD-G

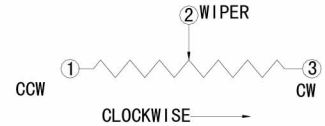
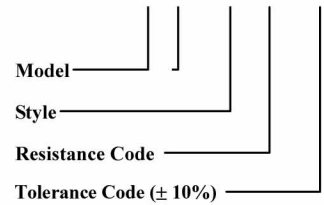


Series CE4ST-SMD-J



How to Order

CE4ST-SMD-J-102-K



standard Resistance Table

Resistance (Ohms)	Resistance Code
10	100
20	200
50	500
100	101
200	201
500	501
1,000	102
2,000	202
5,000	502
10,000	103
20,000	203
25,000	253
50,000	503
100,000	104
200,000	204
250,000	254
500,000	504
1,000,000	105
2,000,000	205

Special resistance available

Detail Specification: Q/R518-2003