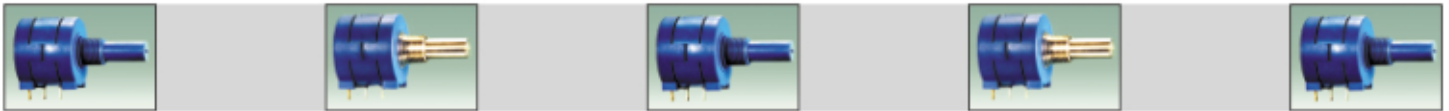


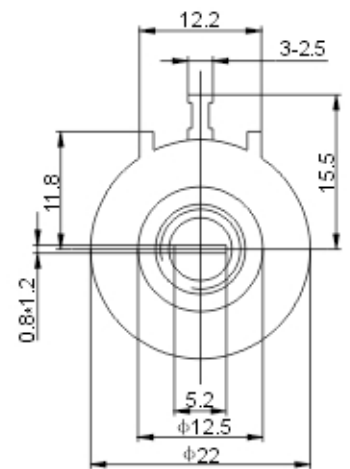
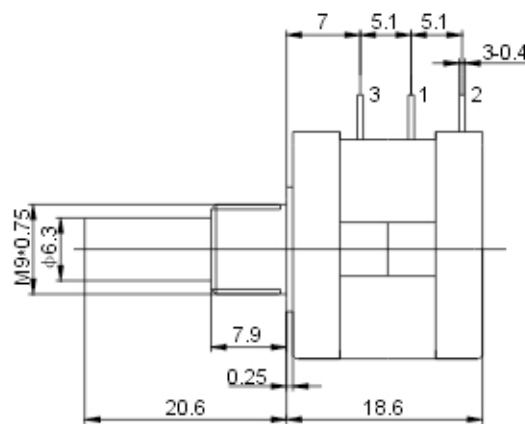
- Multiturn / Wirewound / Industrial
- Plastic or metal shaft and bushing
- Bushing mount
- Available with shaft (6mm dia.)

CE22MTWW Series Precision Potentiometer



Electrical Characteristics

- Standard Resistance Range**
..... 100 to 100K ohms
(see standard resistance table)
- Resistance Tolerance**
..... $\pm 5\%$ std.
- Independent Linearity**
..... $\pm 0.25\%$
- Effective Electrical Angle**
..... 3600° nom.
- Absolute Minimum Resistance**
..... 0.2% or 5 ohms max.
(whichever is greater)
- Noise**
..... 100 ohms ENR max.
- Insulation Resistance (500 Vdc)**
..... 1,000 megohms min.
- Dielectric Withstanding Voltage**
..... 101.3kPa 710 Vac
8.5kPa 470 Vac



CE22MTWW-S1, S2

Environmental Characteristics

- Power Rating (500 volts max.)**
..... 2 watt (70°C), 0 watt (125°C)
- Temperature Range**
..... -55°C to +125°C
- Temperature Coefficient**
..... ± 100 ppm/°C
- Vibration**
..... 98 m/s²
(1% Δ TR; 1% Δ VR)
- Shock**
..... 390 m/s²
(1% Δ TR; 1% Δ VR)
- Load Life**
..... 1,000 hours 2 watt @ 70°C
(3% Δ TR)
- Rotational Life**
..... 250,000 shaft revolutions
(3% Δ TR)

How to order

CE22MTWW-S2-101

- Model _____
- Style _____
- Resistance Code _____
- S1: Plastic shaft and bushing
 - S2: Metal shaft and bushing

Standard Resistance Table

Resistance (Ohms)	Resistance Code
100	101
200	201
500	501
1,000	102
2,000	202
5,000	502
10,000	103
20,000	203
50,000	503
100,000	104

Special resistance available

Detail Specification: Q/RY500-2002

Physical Characteristics

- Torque**
..... 36 mN · m max.
- Stop Strength**
..... 300 mN · m min.
- Mechanical angle**
..... 3600° nom.
- Standard Packaging**
..... 10 or 25 pcs. per box

