



3180 N. Kennicott Avenue
Arlington Heights, IL 60004

Telephone: 847.255.4100 or 800.227.0075
FAX: 847.255.2961 E-Mail: sales@vimex.com



Features

- Multi-turn / Wirewound / Industrial
- Metal shaft and bushings
- Bushing mount
- Available with shaft (Ø 6.35 mm)

Electrical Characteristics

Standard Resistance Range
100 to 100K ohms
(see standard resistance table)
Resistance Tolerance
±5% std.
Independent Linearity
±0.25%
Effective Electrical Angle
360° -10° min.
Absolute Minimum Resistance
0.2% or 2 ohms max.
(whichever is greater)
Noise
100 ohms ENR max.
Insulation Resistance
500 VDC
1,000 meg ohms min.
Dielectric Withstanding Voltage
101.3 k Pa 900 VAC

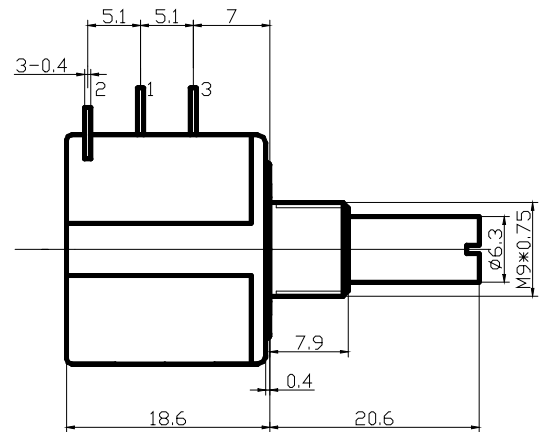
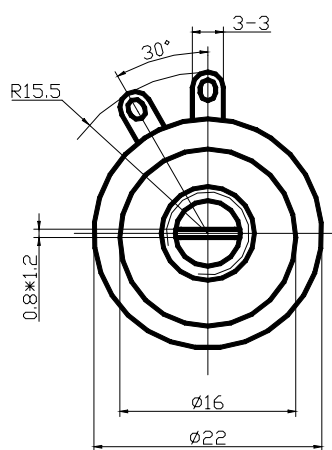
Environmental Characteristics

Power Rating (500 volts max.)
2 watt (70°C) , 0 watt (125°C)
Temperature Range
-55°C to +125°C
Temperature Coefficient
±100ppm/°C
Vibration
98 m/s²
(1% Δ TR; 1% Δ VR)
Shock
490 m/s²
(1% Δ TR; 1% Δ VR)
Load Life
1,000 hours 2 watt @ 70°C
(2% Δ TR)
Rotational Life
10000 cycles
(3% Δ TR)

Physical Characteristics

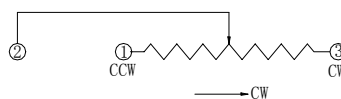
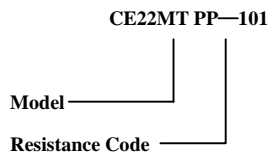
Torque
36 mN · m max.
Stop Strength
300 mN · m min.
Mechanical angle
360° -10° min.
Standard Packaging
10 or 25 pcs. per box

CE22MT PP Series Precision Potentiometer



CE22MT PP Dimensions

How to order



Standard Resistance Table

Resistance (Ohms)	Resistance Code
100	101
200	201
500	501
1,000	102
2,000	202
5,000	502
10,000	103
20,000	203
50,000	503
100,000	104

Special resistance available.

Detail Specification: Q/R531-2004