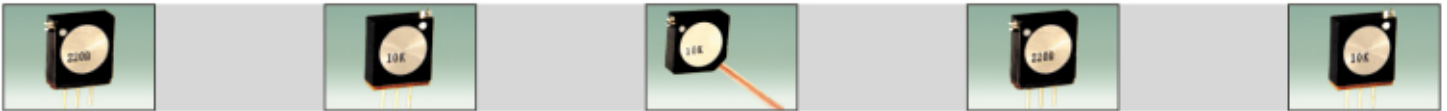


- Multiturn / Wirewound / Industrial / Sealed
- Top and side adjust types

CE13MTWW Series Square Trimming potentiometer



Electrical Characteristics

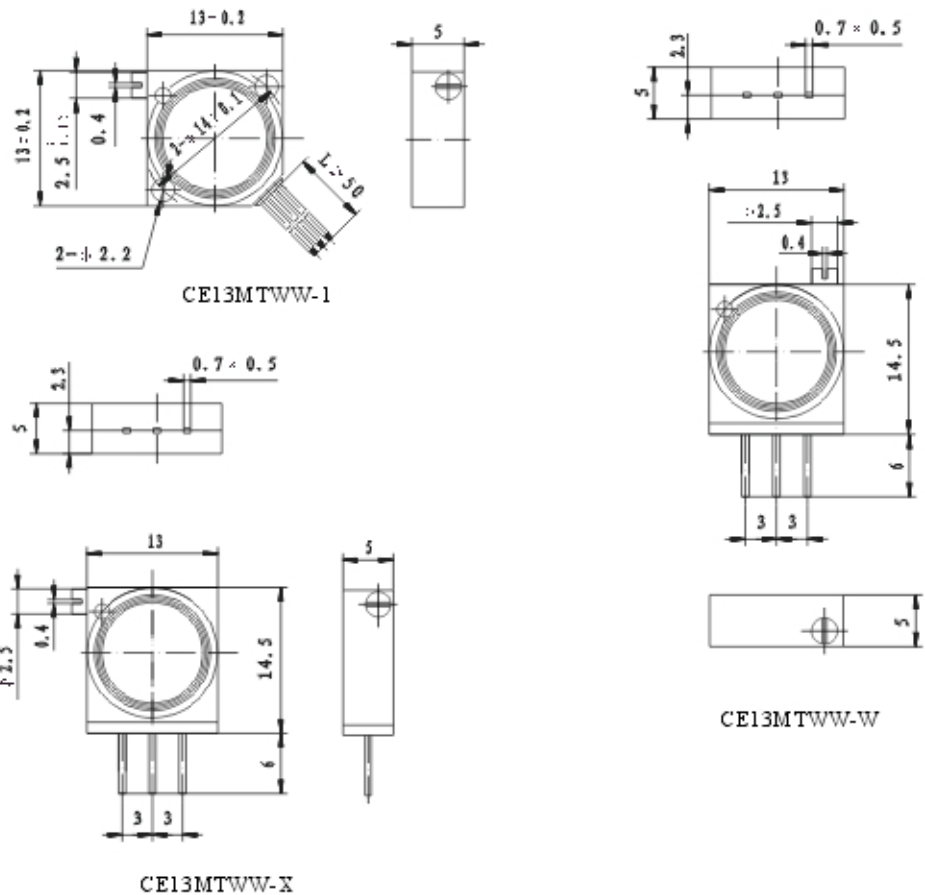
- Standard Resistance Range**
 100 to 15K ohms
 (see standard resistance table)
- Resistance Tolerance**
 $\pm 5\%$ or $\pm 10\%$ std.
 (tighter tolerance available)
- Absolute Minimum Resistance**
 2% ohm max.
- Insulation Resistance**
 500 Vdc 1,000 megohms min.
- Dielectric Strength**
 101.3kPa 500 Vac
 8.5kPa 200 Vac
- Effective Travel**
 32 turns nom.

Environmental Characteristics

- Power Rating (100 volts max.)**
 0.5 watt (70 °C), 0 watt (125 °C)
- Temperature Range**
 -55 °C to +125 °C
- Temperature Coefficient**
 ± 100 ppm/°C
- Vibration**
 98 m/s²
 (2% Δ TR; 3% Δ VR)
- Shock**
 390 m/s²
 (2% Δ TR; 2% Δ VR)
- Load Life**
 1,000 hours 0.5 watt @ 70 °C
 (5% Δ TR; 8% or 8 ohms,
 Whichever is greater ,CRV)
- Rotational Life**
 200 cycles
 (5% Δ TR; 8% or 8 ohms,
 Whichever is greater ,CRV)

Physical Characteristics

- Torque**
 20mN · m max.



How to order

CE13MTWW-1-15K Ω $\pm 5\%$

- Model
- Style
- Standard Resistance
- Resistance Tolerance

Standard Resistance Table

Resistance(Ohms)	
100	1. 000
120	2. 200
150	2. 700
180	3. 300
220	4. 700
270	5. 600
330	6. 200
470	8. 200
560	10. 000
680	12. 000
820	15. 000
1. 000	
1. 200	
1. 500	

Special resistance available

Detail Specification: Q/RYS07-2002

