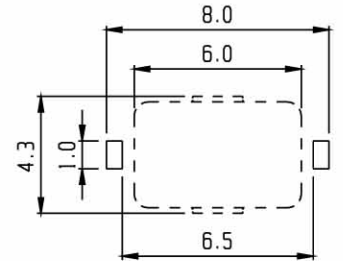
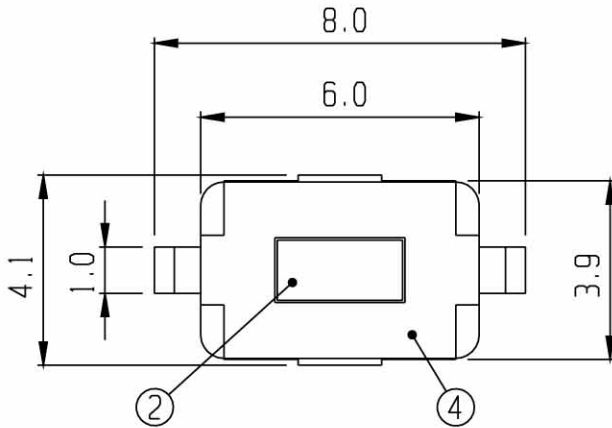


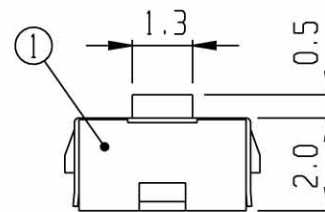
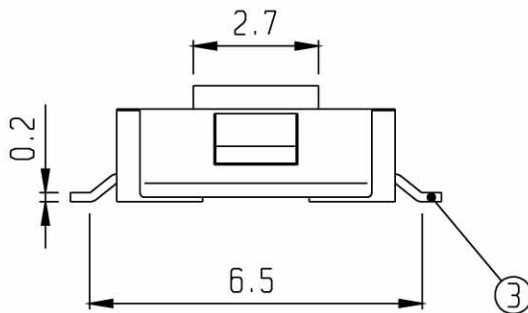
SCHEMATIC



PCB LAYOUT



RoHS
Compliance



5	CONTACT	S U S	1						
3	TERMINAL	BRASS	2	Ag PLATED	4	COVER	S U S	1	
1	FRAME	NYLON 46	1		2	KNOB	NYLON 46	1	
NO	PART	MATERIAL	QTY	REMARKS	NO	PART	MATERIAL	QTY	REMARKS

ISSUED	SPECIFICATION	TITLE: TACT SWITCH						
	RATING: DC 12V 50mA	MODEL NO: TC-06308-00						
	CONTACT RESISTANCE: 100mΩ Max.							
	INSULATION RESISTANCE: 100MΩ at 500V DC	TOLERANCE	UNIT: MM	DWN.				
	WITHSTAND VOLTAGE: AC 250V for 1 minute.	UP TO 1.0:±0.1	SCALE: 6:1	CHK'D.				
	OPERATION FORCE: REFER ATTACH SPECIFICATION	1.0 TO 10.0:±0.2	VERSION: 01	APPD.				
	SWITCHING LIFE: 50k Cycles Min.	OVER 10.0:±0.3	DRWG NO:					

BY: 
DATE: 04-OCT-2007

