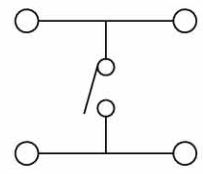
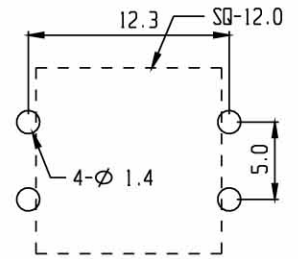


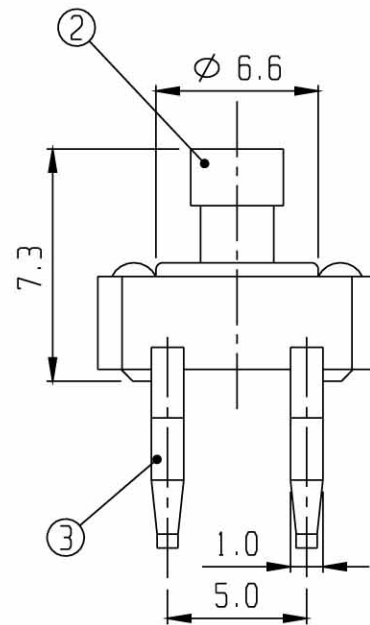
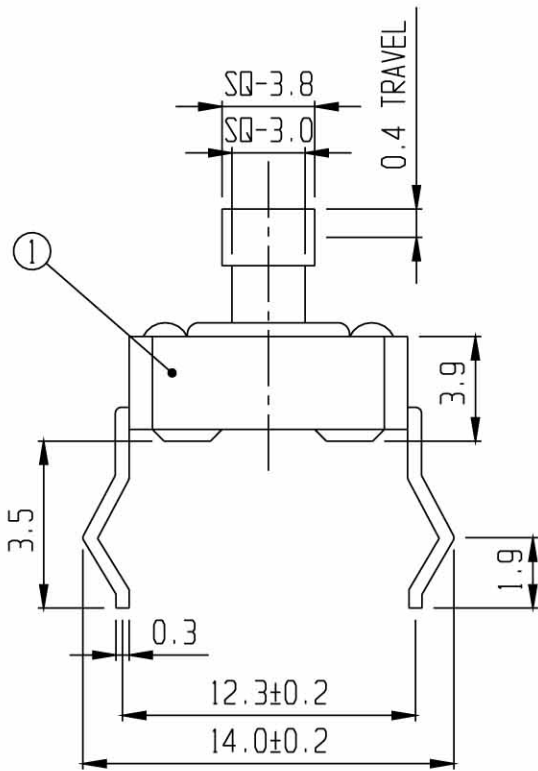
RoHS
Compliance



SCHEMATIC



PCB LAYOUT



| 5 | CONTACT | P B S | 1 | Ag PLATED | | | | | |
|----|----------|----------|-----|-----------|----|-------------|----------------|-----|---------|
| 3 | TERMINAL | BRASS | 4 | Ag PLATED | 4 | COVER BOARD | POLYESTER FILM | 1 | |
| 1 | FRAME | NYLON | 1 | | 2 | KNOB | NYLON | 1 | |
| NO | PART | MATERIAL | QTY | REMARKS | NO | PART | MATERIAL | QTY | REMARKS |

| | | | | |
|--------|---|-----------------------|-------------|--------------------------|
| ISSUED | SPECIFICATION | TITLE: TACT SWITCH | | |
| | RATING: DC 12V 50mA | MODEL NO: TC-00122-00 | | |
| | CONTACT RESISTANCE: 100mΩ Max. | | | |
| | INSULATION RESISTANCE: 100MΩ at 500V DC | TOLERANCE | UNIT: MM | DWN. <i>hro</i> |
| | WITHSTAND VOLTAGE: AC 250V for 1 minute. | UP TO 1.0:±0.1 | SCALE: 4:1 | CHK'D. <i>pm</i> |
| | OPERATION FORCE: REFER ATTACH SPECIFICATION | 1.0 TO 10.0:±0.2 | VERSION: 01 | APPD. <i>[Signature]</i> |
| | SWITCHING LIFE: 100k Cycles Min. | OVER 10.0:±0.3 | DRWG NO: | |

BY: *[Signature]*
DATE: 03-DEC-2007

