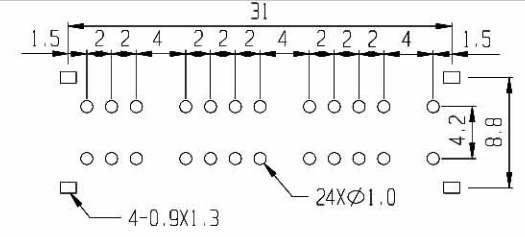
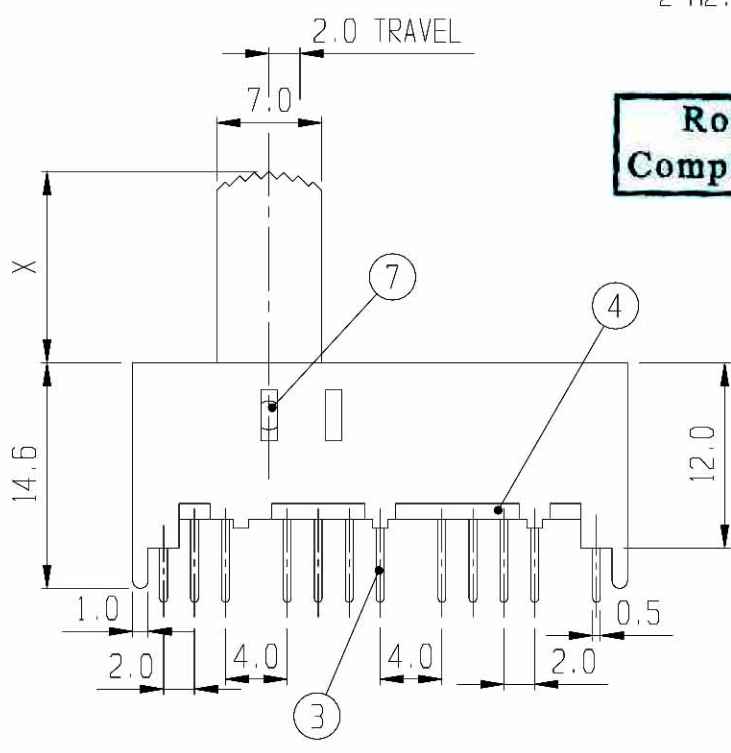


SCHMATIC

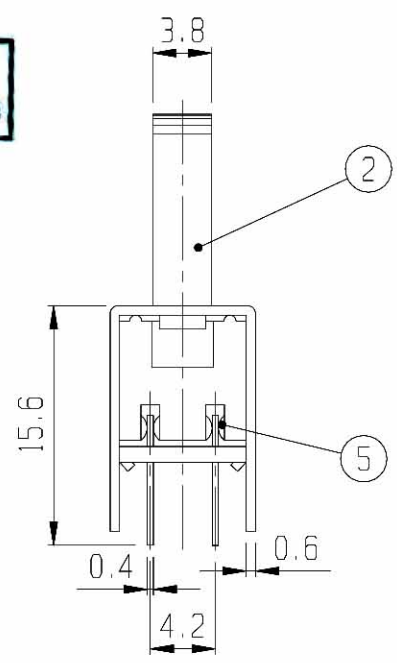


PCB LAYOUT

2- ϕ 2.2 or
2-M2.6X0.45



**RoHS
Compliance**



7	BALL	STEEL	2						
5	CONTACT	P B S	6	Ag PLATED	6	SPRING	STEEL WIRE	1	
3	TERMINAL	BRASS	24	Ag PLATED	4	TERMINAL BASE	PHENOL RESIN	1 NATURAL	
1	FRAME	S P C C	1	Ni PLATED	2	KNOB	P O M	1 G 2-15	
NO	PART	MATERIAL	QTY	REMARKS	NO	PART	MATERIAL	QTY	REMARKS

ISSUED	SPECIFICATION	TITLE: SLIDE SWITCH (6P3T)		
	RATING: DC 30V 0.5A	MODEL NO: SS-63D01		
	CONTACT RESISTANCE: 30m Ω max.			
	INSULATION RESISTANCE: 500M Ω at 500V DC	TOLERANCE	UNIT: MM	DWN.
	WITHSTAND VOLTAGE: AC 500V for 1 minute	UP TO 1.0: \pm 0.1	SCALE: 2:1	CHK'D.
	OPERATION FORCE: REFER ATTACH SPECIFICATION	1.0 TO 10.0: \pm 0.2	VERSION: 01	APPD.
	SWITCHING LIFE: 10K cycles min.	OVER 10.0: \pm 0.3	DRWG NO:	

BY:
DATE: 10-JUN-1999

