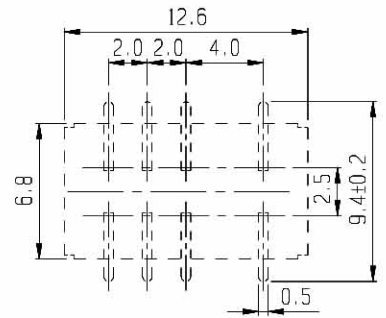
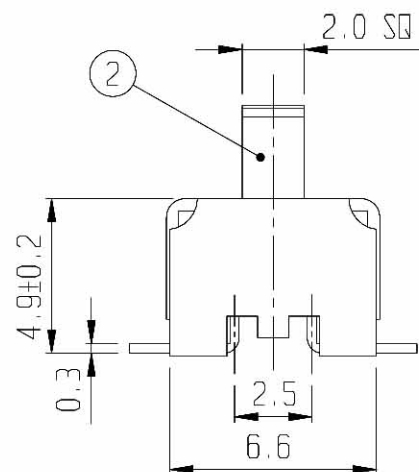
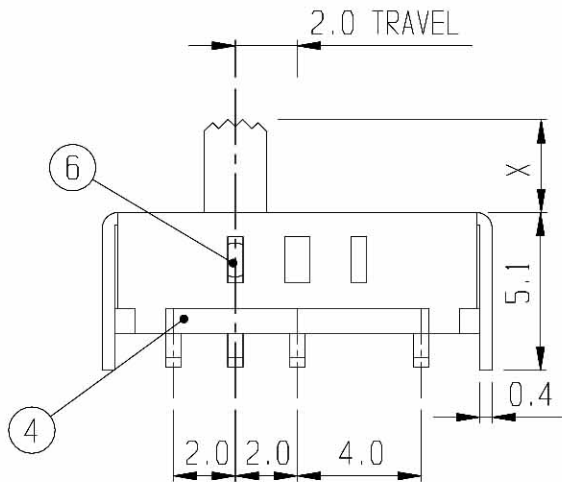


SCHEMATIC



PCB LAYOUT

**RoHS  
Compliance**



5	CONTACT	P B S	2	Ag PLATED	6	SPRING	P B S	2	
3	TERMINAL	BRASS	8	Ag PLATED	4	TERMINAL BASE	PHENOL RESIN	1	NATURAL
1	FRAME	S P C C	1	BLACK PLATED	2	KNOB	P O M	1	G 2-8
NO	PART	MATERIAL	QTY	REMARKS	NO	PART	MATERIAL	QTY	REMARKS

ISSUED	SPECIFICATION				TITLE: SLIDE SWITCH (2P3T)					
	RATING: DC 30V 0.5A				MODEL NO: SS-23D13					
	CONTACT RESISTANCE: 30mΩ max.				TOLERANCE		UNIT: MM		DWN.	<i>hro</i>
	INSULATION RESISTANCE: 500MΩ at 500V DC				UP TO 1.0:±0.1		SCALE: 4:1		CHK'D.	<i>mu</i>
	WITHSTAND VOLTAGE: AC 500V for 1 minute				1.0 TO 10.0:±0.2		VERSION: 01		APPD.	<i>[Signature]</i>
	OPERATION FORCE: REFER ATTACH SPECIFICATION				OVER 10.0:±0.3		DRWG NO:			
	SWITCHING LIFE: 10K cycles min.									

BY: *[Signature]*  
DATE: 09-NOV-2000

