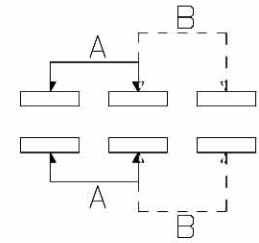
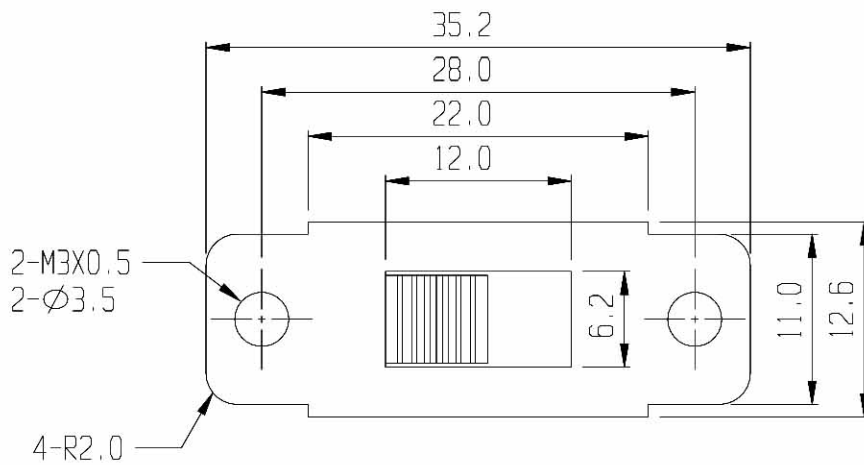
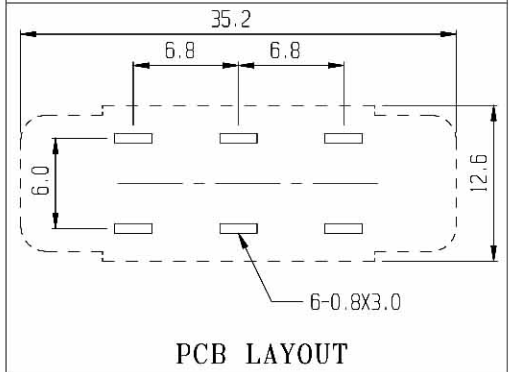


Non-shorting

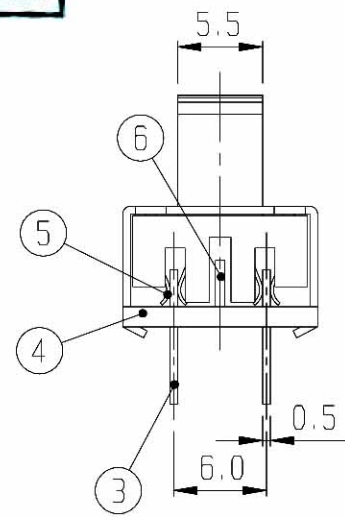
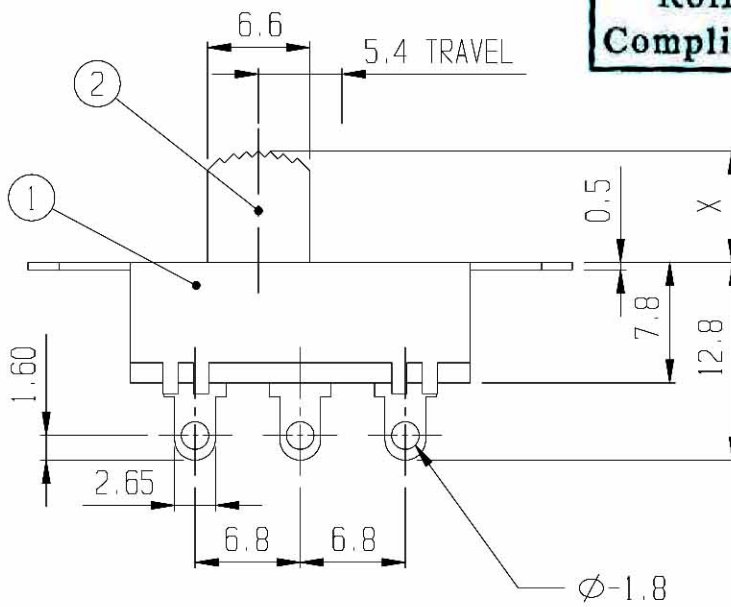


SCHEMATIC



PCB LAYOUT

RoHS Compliance



7	BALL	STEEL	1		8	SPRING	STEEL WIRE	1	
5	CONTACT	P B S	2	Ag PLATED	6	CENTER PLATE	S P C C	1	Ni PLATED
3	TERMINAL	BRASS	6	Ag PLATED	4	TERMINAL BASE	PHENOL RESIN	1	NATURAL
1	FRAME	S P C C	1	Ni PLATED	2	KNOB	P C	1	G 3.2-10
NO	PART	MATERIAL	QTY	REMARKS	NO	PART	MATERIAL	QTY	REMARKS

ISSUED	SPECIFICATION	TITLE: SLIDE SWITCH (2P2T)		
	RATING: AC 250V 0.3A AC 125V 1A DC 50V 0.5A	MODEL NO: SS-22L19		
	CONTACT RESISTANCE: 30mΩ max.	TOLERANCE	UNIT: MM	DWN. <i>hwo</i>
	INSULATION RESISTANCE: 500MΩ at 500V DC	UP TO 1.0:±0.1	SCALE: 2:1	CHK'D. <i>pm</i>
	WITHSTAND VOLTAGE: AC 500V for 1 minute	1.0 TO 10.0:±0.2	VERSION: 01	APPD. <i>[Signature]</i>
	OPERATION FORCE: REFER ATTACH SPECIFICATION	OVER 10.0:±0.3	DRWG NO:	
	SWITCHING LIFE: 10K cycles min.			

BY: *[Signature]*
DATE: 25-MAR-2006

