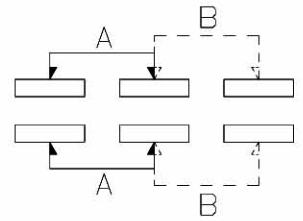
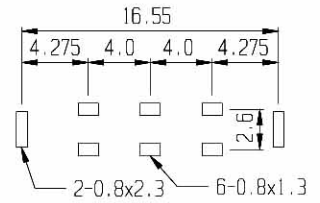


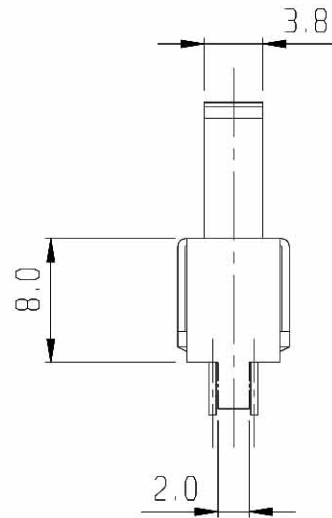
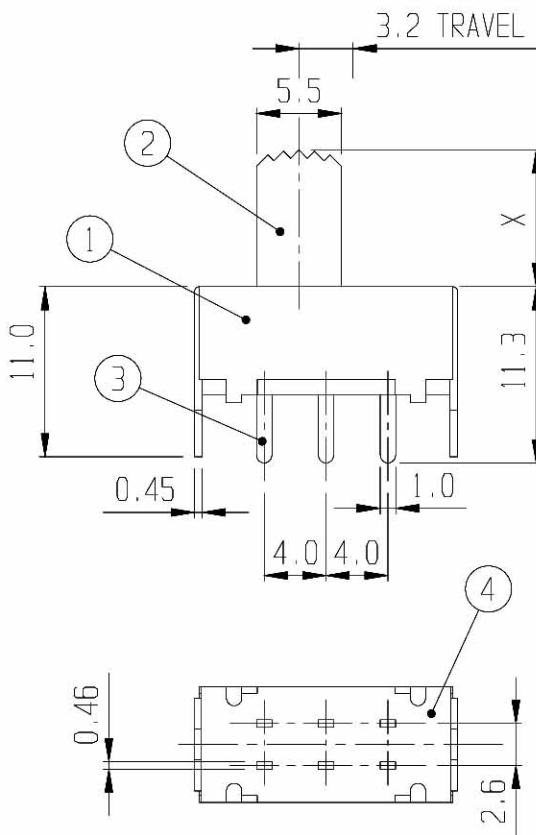
**RoHS
Compliance**



SCHEMATIC



PCB LAYOUT



5	CONTACT	BRASS	2	Ag PLATED	6	SPRING	STEEL WIRE	2	
3	TERMINAL	BRASS	6	Ag PLATED	4	TERMINAL BASE	PHENOL RESIN	1	NATURAL
1	FRAME	S P C C	1	Ni PLATED	2	KNOB	P O M	1	G 1.5-15
NO	PART	MATERIAL	QTY	REMARKS	NO	PART	MATERIAL	QTY	REMARKS

ISSUED

SPECIFICATION

TITLE: SLIDE SWITCH (2P2T)

RATING: DC 30V 0.3A

CONTACT RESISTANCE: 30mΩ max.

INSULATION RESISTANCE: 500MΩ at 500V DC

WITHSTAND VOLTAGE: AC 500V for 1 minute

OPERATION FORCE: REFER ATTACH SPECIFICATION

SWITCHING LIFE: 10K cycles min.

MODEL NO: SS-22F06

TOLERANCE UNIT: MM

UP TO 1.0:±0.1 SCALE: 2:1

1.0 TO 10.0:±0.2 VERSION: 01

OVER 10.0:±0.3 DRWG NO:

DWN. *hno*

CHK'D. *ms*

APPD. *h*

BY: *h*

DATE: 27-OCT-1999

VIMEX
INTERNATIONAL CORPORATION

