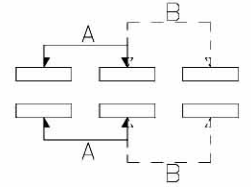
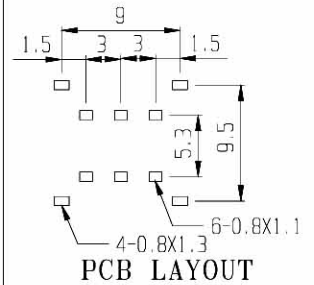


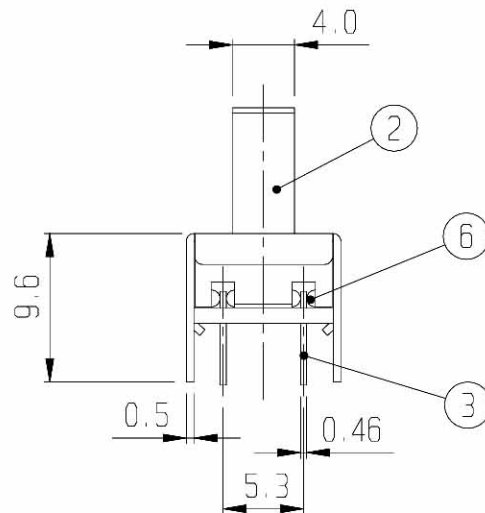
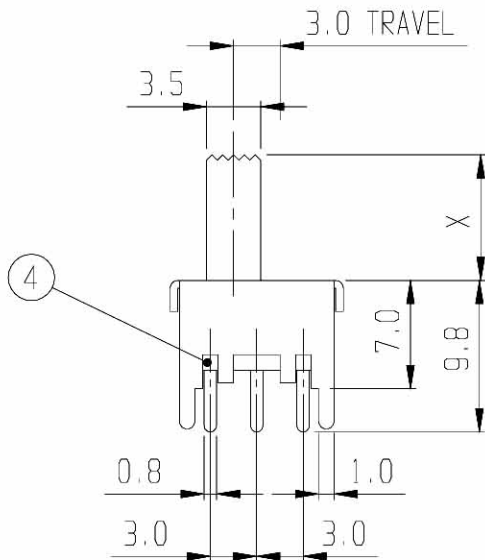
**RoHS  
Compliance**



**SCHEMATIC**



**PCB LAYOUT**



7	SPRING	STEEL WIRE	1						
5	BALL	STEEL	1		6	CONTACT	P B S	2 Ag PLATED	
3	TERMINAL	BRASS	6	Ag PLATED	4	TERMINAL BASE	PHENOL RESIN	1 NATURAL	
1	FRAME	S P C C	1	Ni PLATED	2	KNOB	P O M	1 EG 4-11	
NO	PART	MATERIAL	QTY	REMARKS	NO	PART	MATERIAL	QTY	REMARKS

**ISSUED**

**SPECIFICATION**

**TITLE: SLIDE SWITCH (2P2T)**

RATING: DC 30V 0.3A

CONTACT RESISTANCE: 30mΩ max.

INSULATION RESISTANCE: 500MΩ at 500V DC

WITHSTAND VOLTAGE: AC 500V for 1 minute

OPERATION FORCE: REFER ATTACH SPECIFICATION

SWITCHING LIFE: 10K cycles min.

MODEL NO: SS-22F05

TOLERANCE

UNIT: MM

UP TO 1.0:±0.1

SCALE: 2:1

1.0 TO 10.0:±0.2

VERSION: 01

OVER 10.0:±0.3

DRWG NO:

DWN.

CHK'D.

APPD.

BY:

DATE: 04-JUN-1999

**VIMEX**  
INTERNATIONAL CORPORATION

