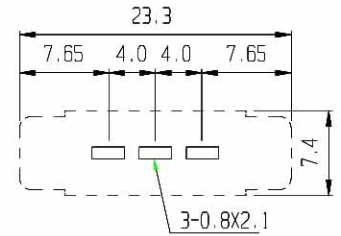
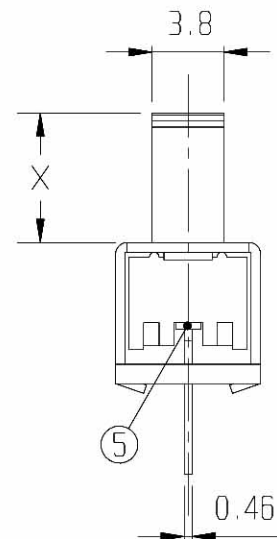
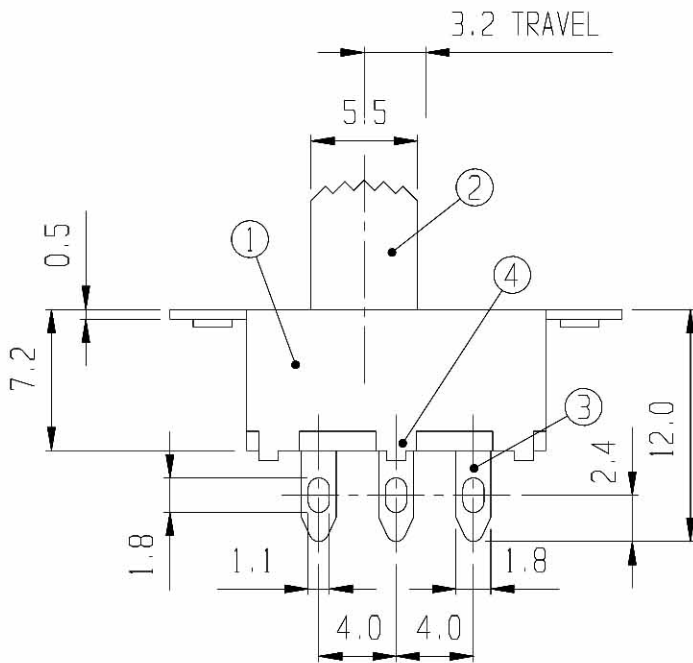


SCHEMATIC



PCB LAYOUT

RoHS Compliance



| 5 | CONTACT | BRASS | 1 | Ag PLATED | 6 | SPRING | STEEL WIRE | 1 | |
|----|----------|----------|-----|--------------|----|---------------|--------------|-----|----------|
| 3 | TERMINAL | BRASS | 3 | Ag PLATED | 4 | TERMINAL BASE | PHENOL RESIN | 1 | NATURAL |
| 1 | FRAME | SPCC | 1 | BLACK PLATED | 2 | KNOB | P O M | 1 | G 1.5-15 |
| NO | PART | MATERIAL | QTY | REMARKS | NO | PART | MATERIAL | QTY | REMARKS |

ISSUED

SPECIFICATION

TITLE: SLIDE SWITCH (1P2T)

RATING: DC 30V 0.3A

CONTACT RESISTANCE: 30mΩ max.

INSULATION RESISTANCE: 500MΩ at 500V DC

WITHSTAND VOLTAGE: AC 500V for 1 minute

OPERATION FORCE: REFER ATTACH SPECIFICATION

SWITCHING LIFE: 10K cycles min.

MODEL NO: SS-12F13

TOLERANCE UNIT: MM

UP TO 1.0:±0.1 SCALE: 2.5:1

1.0 TO 10.0:±0.2 VERSION: 01

OVER 10.0:±0.3 DRWG NO:

DWN.

CHK'D.

APPD.

BY:

DATE: 19-NOV-2002

VIMEX
INTERNATIONAL CORPORATION

