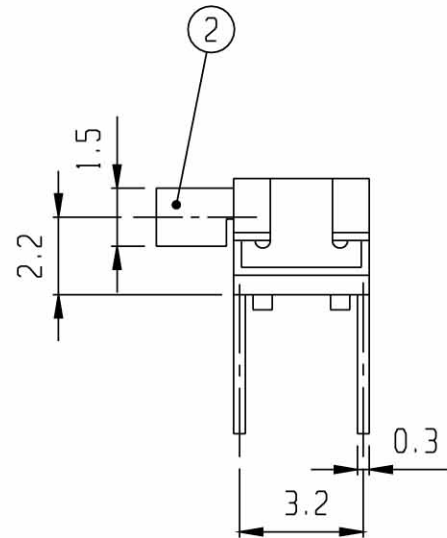
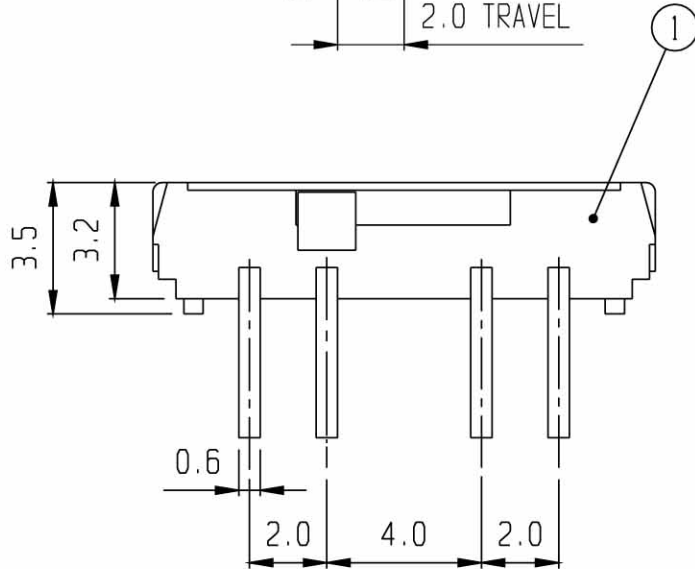


RoHS  
Compliance



5	CONTACT	P B S	2	Ag PLATED					
3	TERMINAL	BRASS	8	Ag PLATED	4	COVER BOARD	S U S	1	
1	FRAME	NYLON 46	1		2	KNOB	NYLON 46	1 TG 2-5	
NO.	PART	MATERIAL	QTY	REMARKS	NO.	PART	MATERIAL	QTY	REMARKS

ISSUED	SPECIFICATION				TITLE: MINIATURE SIDE KNOB SLIDE SWITCH (2P3T)				
	RATING: DC 12V 0.1A				MODEL NO: MSK-23D18				
	CONTACT RESISTANCE: 70mΩ max.				TOLERANCE	UNIT: MM	DWN.	<i>hro</i>	
	INSULATION RESISTANCE: 100MΩ AT 500V DC				UP TO 1.0:±0.1	SCALE: 5:1	CHK'D.	<i>mu</i>	
	WITHSTAND VOLTAGE: AC 100V for 1 minute				1.0 TO 10.0:±0.2	VERSION: 02	APPD.	<i>[Signature]</i>	
	OPERATION FORCE: REFER ATTACH SPECIFICATION				OVER 10.0:±0.3	DRWG NO:			
SWITCHING LIFE: 10K cycles min.									

BY: *[Signature]*  
DATE: 07-AUG-2007

