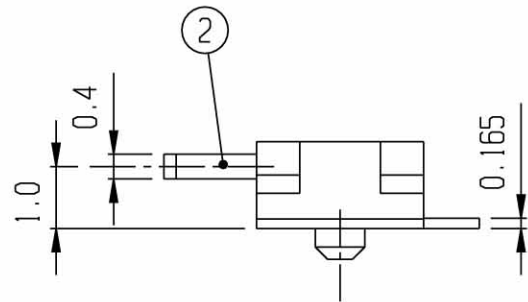
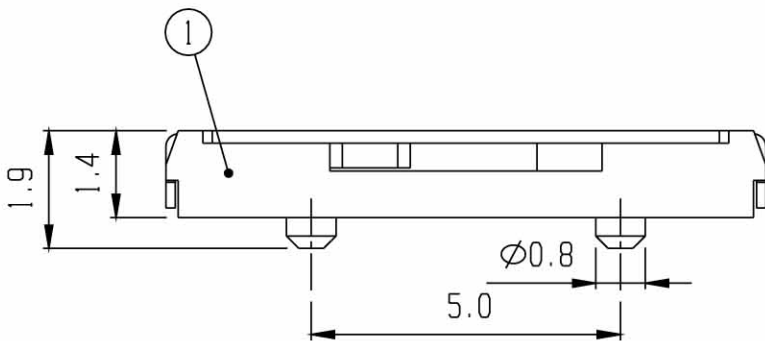


RoHS Compliance



5	CONTACT	CuBe	1	Ag PLATED					
3	TERMINAL	BRASS	4	Ag PLATED	4	COVER BOARD	S U S	1	
1	FRAME	NYLON 46	1		2	KNOB	NYLON 46	1	
CGA 1-2									
NO.	PART	MATERIAL	QTY	REMARKS	NO.	PART	MATERIAL	QTY	REMARKS

ISSUED	SPECIFICATION	TITLE: MINIATURE SIDE KNOB SLIDE SWITCH (1P3T)						
	RATING: DC 12V 0.1A	MODEL NO: MSK-13C01						
	CONTACT RESISTANCE: 70mΩ max.	INSULATION RESISTANCE: 100MΩ AT 500V DC	TOLERANCE	UNIT: MM	DWN.	<i>hro</i>		
	WITHSTAND VOLTAGE: AC 100V for 1 minute	OPERATION FORCE: REFER ATTACH SPECIFICATION	UP TO 1.0:±0.1	SCALE: 8:1	CHK'D.	<i>pu</i>		
	SWITCHING LIFE: 10K cycles min.		1.0 TO 10.0:±0.2	VERSION: 07	APPD.	<i>[Signature]</i>		
			OVER 10.0:±0.3	DRWG NO:				

BY: *[Signature]*
DATE: 25-JAN-2007

