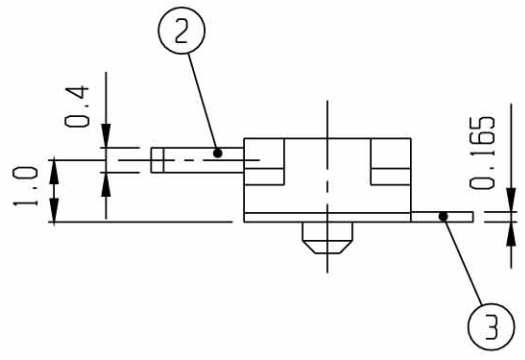
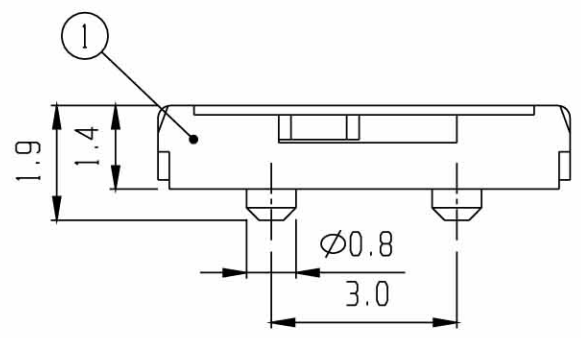


RoHS Compliance



5	CONTACT	CuBe	1	Ag PLATED					
3	TERMINAL	BRASS	3	Ag PLATED	4	COVER BOARD	S U S	1	
1	FRAME	NYLON 46	1		2	KNOB	NYLON 46	1 CGA 1.5	
NO.	PART	MATERIAL	QTY	REMARKS	NO.	PART	MATERIAL	QTY	REMARKS

ISSUED	SPECIFICATION				TITLE: MINIATURE SIDE KNOB SLIDE SWITCH (1P2T)					
	RATING: DC 12V 0.1A				MODEL NO: MSK-12C02					
	CONTACT RESISTANCE: 70mΩ max.				TOLERANCE		UNIT: MM		DWN.	<i>hro</i>
	INSULATION RESISTANCE: 100MΩ AT 500V DC				UP TO 1.0:±0.1		SCALE: 8:1		CHK'D.	<i>pu</i>
	WITHSTAND VOLTAGE: AC 100V for 1 minute				1.0 TO 10.0:±0.2		VERSION: 03		APPD.	<i>[Signature]</i>
	OPERATION FORCE: REFER ATTACH SPECIFICATION				OVER 10.0:±0.3		DRWG NO:			
SWITCHING LIFE: 10K cycles min.										

BY: *[Signature]*
DATE: 07-AUG-2007

