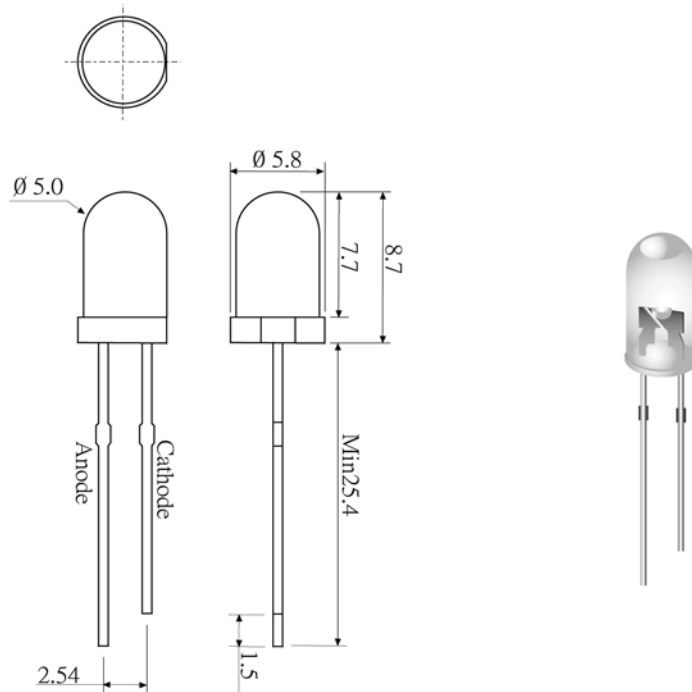


KTL050CDI-12V



- * 5mm with Superbright Red Dice .+ 12V
- * Encapsulated with Water Clear Package.
- * Long Lead Frame.

Absolute Maximum Ratings:

Parameter	Maximum Rating	Unit
Peak forward Current	120	mA
Continous forward Current	30	mA
Operating Temperature Range	-20°C to +75°C	
Storage Temperature Range	-40°C to +100°C	
Lead Solding Temperature	260°C for 5 seconds	

Electro - Optical Characteristics (Ta=25°C)

Parameter	Test Condition	Symbol	Min.	Typ.	Max.	Unit
Forward Voltage	If=10mA	Vf		12		V
Reverse Current	Vr=5V	Vr			100	uA
Luminous Intensity	If=20mA	Iv		700	800	mcd
Spectral Bandwidth	If=5mA	$\Delta\lambda$		30		nm
Wavelength	If=20mA	λ_d		635		nm
Half View Angle	If=20mA	2 θ 1/2				deg