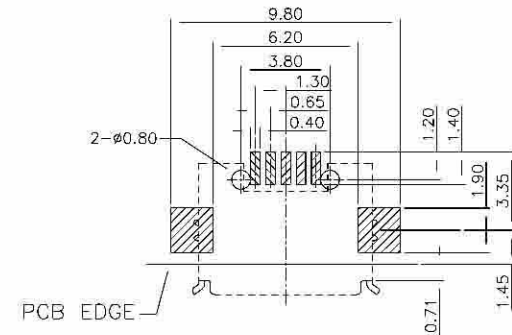
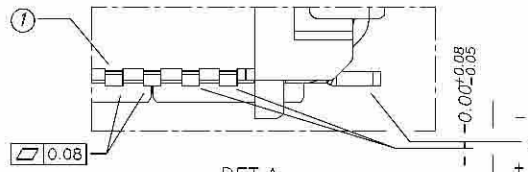
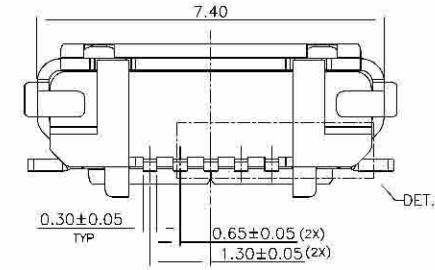
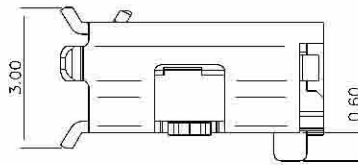
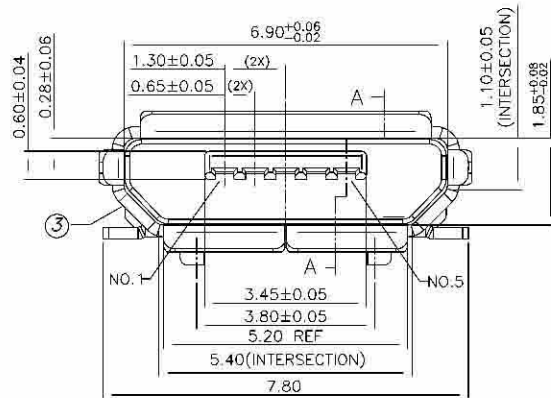


SEC. A-A



PCB LAYOUT (SCALE 4:1)
TOLERANCE: ±0.05



DET.A
SCALE 10:1

3	SHELL	STAINLESS STEEL, T=0.25	40u" Min. NICKEL OVER PLATED	
2	HOUSING	HIGH TEMPERATURE THERMAL PLASTIC	COLOR:BLACK	
1	CONTACT	COPPER ALLOY,T=0.20	CONTACT AREA:Au 30u" Min, SOLDER AREA:Au 3u" Min.	
ITEM	DESC.	MATERIAL	REMARKS	PART REMARKS

UNLESS OTHERWISE SPECIFIED TOLERANCE

ANG. ±5°
0. ±0.3
.0 ±0.25
.00 ±0.20

SCALE: AS SHOWN UNIT: mm

DRAWN Willis 2007/06/20

CHECKED Angel 2007/06/20

APPROVED Ken 2007/06/20

DATE 2009/08/11

SIZE A4



DRAWN NAME: Micro USB-B Receptacle SMT Type

PRODUCT NO. USB-U-B-BA0-R

FILE NAME:

1 Revise: Product Number: Contact Area(Gold 30u") and Peg Area

REV.	DESCRIPTION	DATE	APPROVED	SIZE	REV.	FILE NAME:
1				A4		