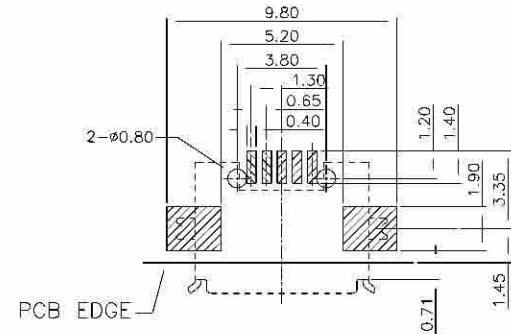
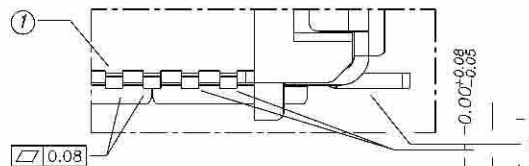
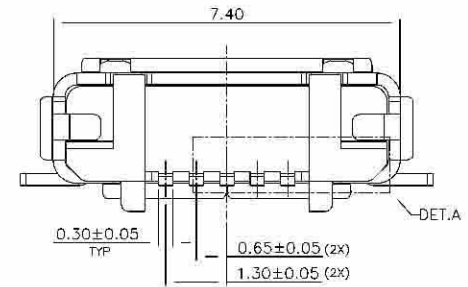
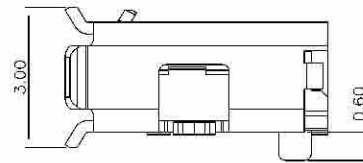
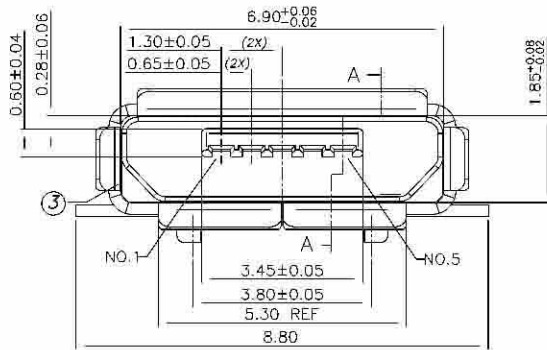


SEC. A-A



PCB LAYOUT(SCALE 4:1)
TOLERANCE:±0.05



DET.A
SCALE 10:1

3	SHELL	STAINLESS STEEL, T=0.25	40u" Min. NICKEL OVER PLATED	
2	HOUSING	HIGH TEMPERATURE THERMAL PLASTIC	COLOR:GRAY	
1	CONTACT	COPPER ALLOY,T=0.20	CONTACT AREA:Au 30u" Min, SOLDER AREA:Au 3u" Min.	
ITEM	DESC.	MATERIAL	REMARKS	PART REMARKS

UNLESS OTHERWISE SPECIFIED TOLERANCE	
ANG.	±5°
0.	±0.3
.0	±0.25
.00	±0.20
SCALE:	AS SHOWN
UNIT:	mm
DRAWN	Willis
CHECKED	Angel
APPROVED	Ken
DATE	2009/08/11



DRAWN NAME:
Micro USB-AB Receptacle SMT Type

PRODUCT NO. **USB-AB-A0-R**

FILE NAME:

1 **Revise: Product Number: Contact Area(Gold 30u") and Peg Area**

REV.	DESCRIPTION	DATE	SIZE	REV.
1			A4	