

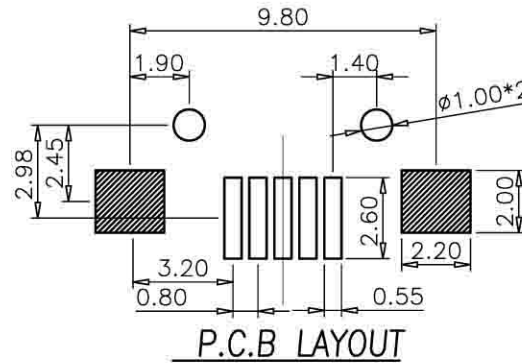
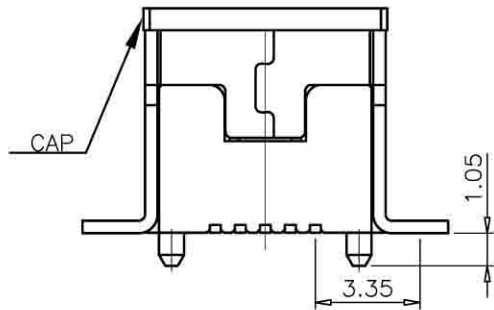
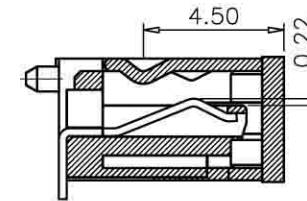
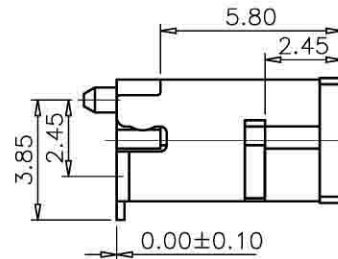
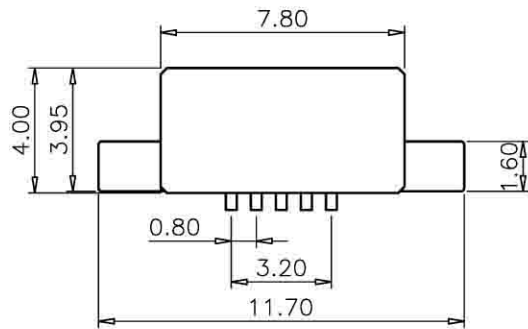
**NOTE:**

**1.SAFETY:**

- 1-1. RATING: 5V / 1A
- 1-2. Insulation Resistance: 100M ohm Min at DC 500V
- 1-3. Dielectric Withstanding Voltage: AC 100V for 1 Minute
- 1-4. Contact Resistance: 30m ohm or less

**2.MATERIAL:**

- 2-1. Housing:LCP
- 2-2. Pin: PHOSPHOR BRONZE/GOLD 10u" MATTE TIN 60u"
- 2-3. Shell: BRASS/NI120u"
- 2-4. Cap: LCP



UNLESS OTHERWISE SPECIFIED TOLERANCE

ANG. ±5  
0. ±0.3  
.0 ±0.25  
.00 ±0.20

SCALE: AS SHOWN UNIT: mm

DRAWN willis 2009/03/19

CHECKED / /

APPROVED / /

SIZE A4 REV.



DRAWN NAME: Mini USB B Conn.  
5 pin Straight SMT Type

PRODUCT NO. USB-M-G-FDT0-R

FILE NAME:

REV.

DESCRIPTION

DATE



SIZE

A4

REV.

FILE NAME: