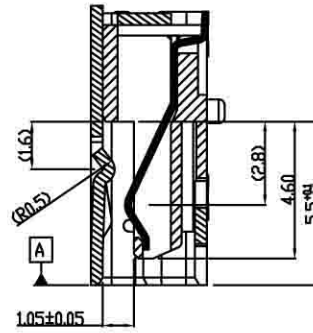
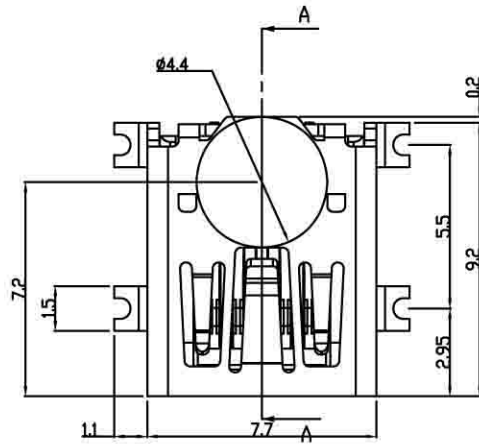
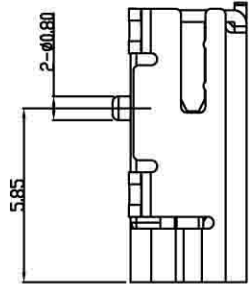
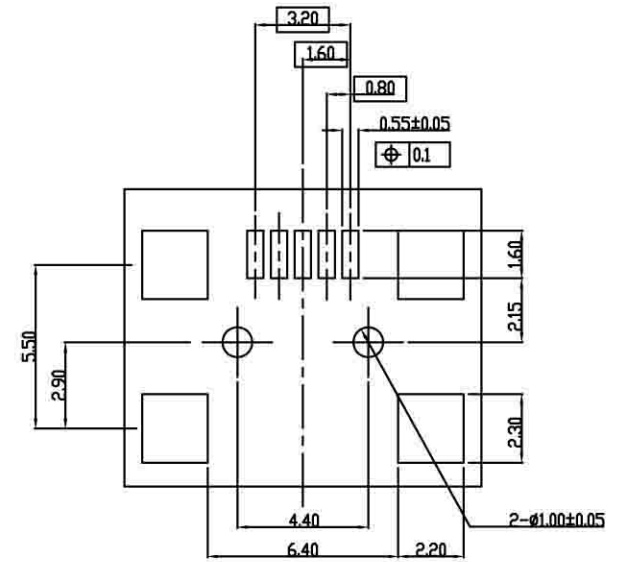
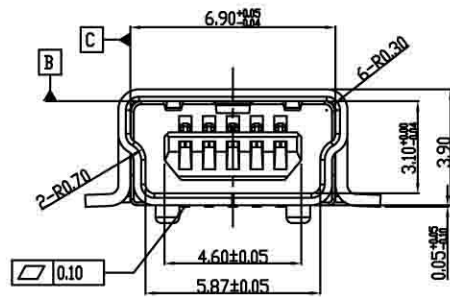


PRODUCT NO.	ITEM	PART NAME	Q'TY	MATERIAL	PLATING
202A-FCNR-R03	1	PLASTIC BODY	1	LCP	N/A
	2	CONTACT	1	C5191R-H	GOLD FLASH
	3	SHELL	1	C2680R-H	NI 100u"
202A-FBNR-R03	1	PLASTIC BODY	1	LCP	N/A
	2	CONTACT	1	C5191R-H	GOLD 30u"
	3	SHELL	1	C2680R-H	NI 100u"



SECTION A-A



RECOMMEND PC BOARD LAYOUT

UNLESS OTHERWISE SPECIFIED TOLERANCE

ANG.	±5°
0.	±0.3
.0	±0.25
.00	±0.20

SCALE: AS SHOWN UNIT: mm

DRAWN *Willis* 2008/6/20

CHECKED / /

APPROVED / /



DRAWN NAME: Mini USB B Connector
5Pin Female type for PCB SMT

PRODUCT NO. USB-M-A-FXNR-R03

FILE NAME:

REV.	DESCRIPTION	DATE	SIZE	REV.
1			A4	