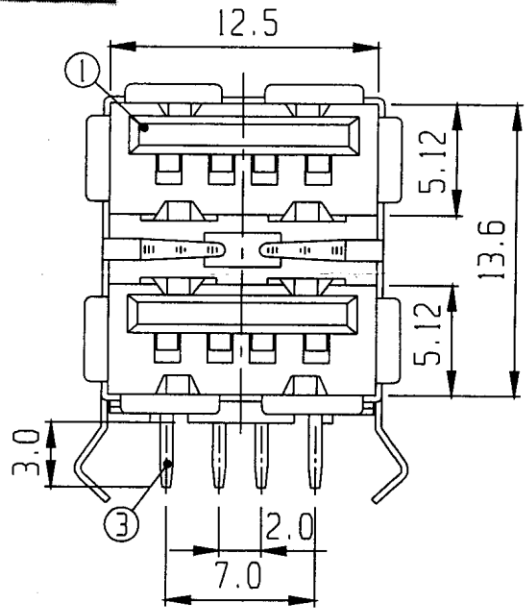
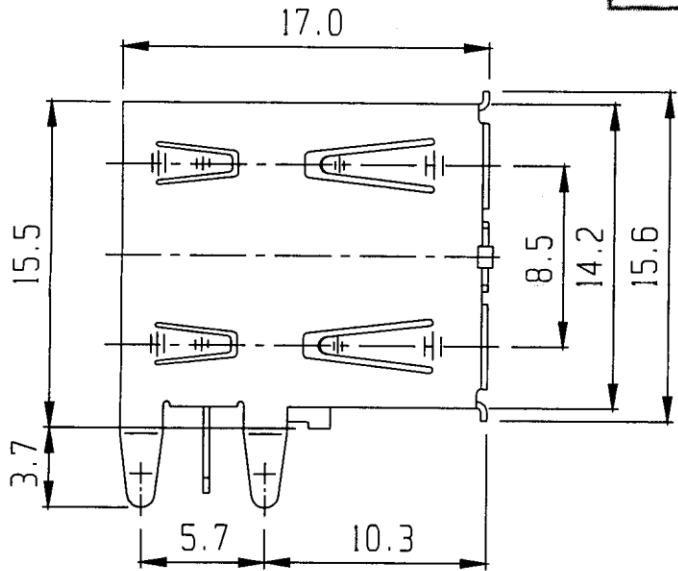


RoHS
Compliance



3	TERMINAL	BRASS	8	Au&Sn PLATED					
1	FRAME	P B T	1		2	SHELL	BRASS	1	Sn PLATED
NO	PART	MATERIAL	QTY	REMARKS	NO	PART	MATERIAL	QTY	REMARKS

ISSUED	SPECIFICATION	TITLE: USB CONNECTOR-DUAL							
	RATING: AC 30V 1A	MODEL NO: USB-DA-HR-D							
	CONTACT RESISTANCE: Not more than 30mΩ (initial)								
	INSULATION RESISTANCE: 1000MΩ at 500V DC	TOLERANCE	UNIT: MM	DWN.					
	WITHSTAND VOLTAGE: AC 500V for 1 min	UP TO 1.0:±0.1	SCALE: 3:1	CHK'D.					
	OPERATION FORCE: REFER ATTACH SPECIFICATION	1.0 TO 10.0:±0.2	VERSION: 1	APPD.					
	SWITCHING LIFE: REFER ATTACH SPECIFICATION	OVER 10.0:±0.3	DRWG NO:						

BY: *[Signature]*
DATE: 16-AUG-2007

