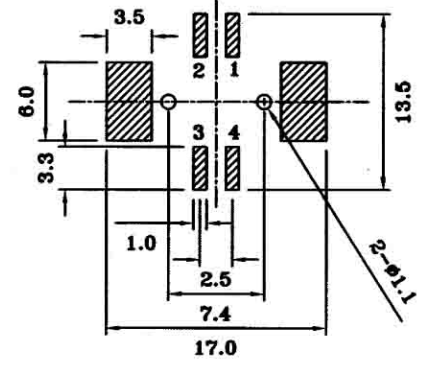


**(COMPONENT SIDE)
PCB LAYOUT**



USB - B - V V - S - 1 - 2 - 3
Part Number

- Contact Plating
 - N: *Nickel Plating
 - B: Gold Flash
 - C: 30u" Gold Plating
 - Shell Plating
 - N: *Nickel Plating
 - G: Gold Plated
 - Insulator Color
 - : * White
 - B: Black
- * standard

NO.	NAME	MATERIAL	FINISH	REMARK	Q'TY
1	HOUSING	NYLON PA9T G.F	BLACK		1
2	PIN TERM.	PHOS. BRONZE T:0.25	GOLD/TIN PLATED	Gold Flash; NI:40~60u" ; TIN:120u" (100% pure Tin of lead free plating)	4
3	SHELL	BRASS T:0.3	NICKEL PLATED	NI:80~120u"	1

UNLESS OTHERWISE SPECIFIED TOLERANCE	
ANG.	±5°
0.	±
.0	±0.25
.00	±0.20



SCALE: AS SHOWN	UNIT: mm	VIMEX INTERNATIONAL CORPORATION
DRAWN: willis	2007/3/27	
CHECKED: //	//	
APPROVED: //	//	
DRAWN NAME: USB-B Type		PRODUCT NO. USB-B-V V-S FILE NAME: USB-B-V V-S
SMT Type, Straight 180°		
DATE		

REV.	DESCRIPTION	DATE