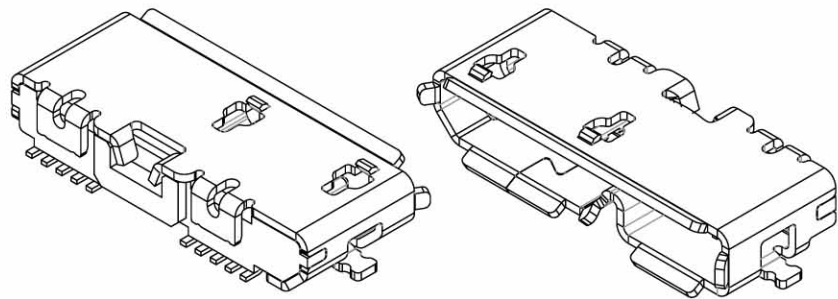
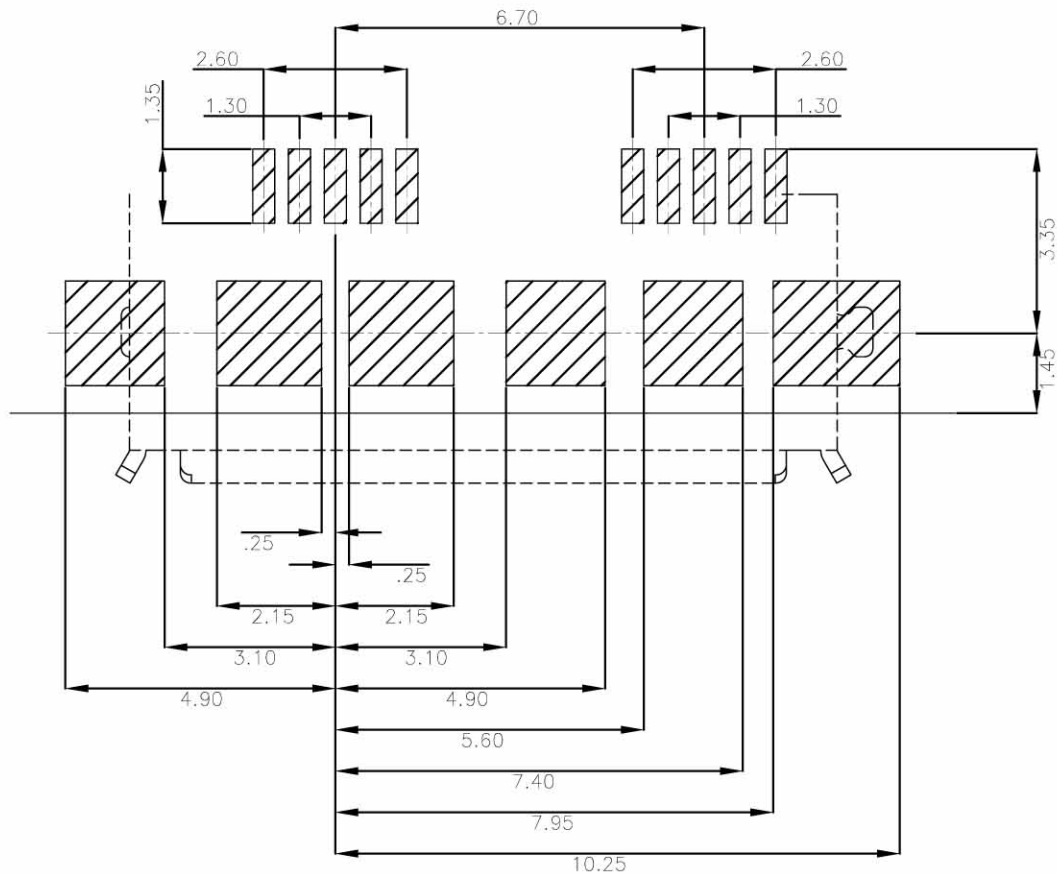


SPECIFICATION
MATERIAL
 Insulator: Thermoplastic, rated UL94V-0
 Contacts: Copper Alloy
 Shell: Steel
CONTACT PLATING
 Underplate: 50u"~100u" Nickel
 Contact area: 15u" Gold
 Solder tails area: 100u"~200u" Tin/Lead Free(Matte)
ELECTRICAL
 Current rating:
 1.8 Amps (max) shall be applied to Vbus pin and its corresponding GND Pin.
 0.25 Amp (Min) shall be applied to all the other contacts.
 Contact resistance:
 30 mΩ (Max) initial for VBUS and GND Contacts.
 50 mΩ (Max) initial for All Other Contacts.
 Insulation resistance: 100 Mohms min @ 250 VDC
 Dielectric withstanding voltage: 100 VAC / minute
 Temperature range: -20°C TO +85°C
 Mating cycles: 10,000 insertions



Product Number		Description	
USB-B-BE00		Micro USB3.0 B Receptacle, SMT Type ,15u" Gold Plating	
		UNLESS OTHERWISE SPECIFIED TOLERANCE ANG. ±5° 0. ±0.3 .0 ±0.25 .00 ±0.20	
		SCALE: AS SHOWN	UNIT: mm
		DRAWN Willis	2011/01/18
		CHECKED Angel	2011/01/18
		APPROVED Ken	2011/01/18
		DRAWN NAME: Micro USB3.0 B Receptacle, SMT Type	
		PRODUCT NO. USB-B-BE00	
REV.	DESCRIPTION	DATE	FILE NAME:



RECOMMENDED P.C.B. LAYOUT
TOLERANCES: ±0.05mm

Pin Number	Signal Name
1	VBUS
2	D-
3	D+
4	ID
5	GND
6	Micb_SSTX-
7	Micb_SSTX+
8	GND_DRAIN
9	Micb_SSRX-
10	Micb_SSRX+
Shell	Shield
Pin Assignments	

UNLESS OTHERWISE SPECIFIED TOLERANCE

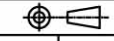
ANG.	±5°
0.	±0.3
.0	±0.25
.00	±0.20

SCALE: AS SHOWN UNIT: mm

DRAWN Willis 2011/01/18

CHECKED Angel 2011/01/18

APPROVED Ken 2011/01/18



SIZE A4

REV.



DRAWN NAME: Micro USB3.0 B Receptacle, SMT Type

PRODUCT NO. USB-B-BE00

FILE NAME:

REV.	DESCRIPTION	DATE	SIZE	REV.	FILE NAME:
1			A4		