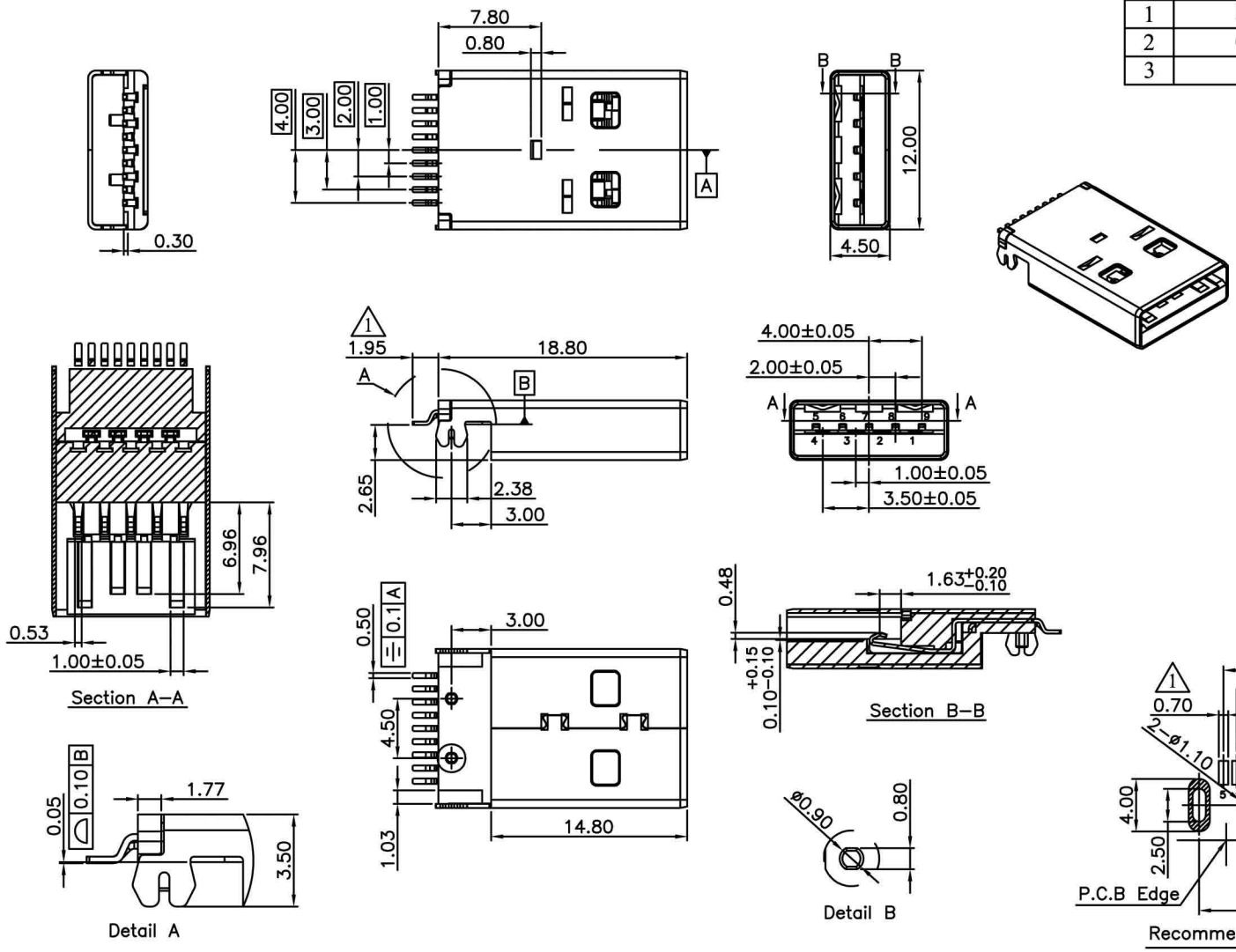


No	Part Name	Material	Final
1	Housing	Nylon-9T,Color: Blue	
2	Contact	Phosphor Bronze	
3	Shell	SPCC	Tin Plated

- Material and Finish:
- ⚠ 1. Insulator Material: Nylon-9T, UL94V-0, Color: Blue
  - 2. Contact Material: Phosphor Bronze
  - 3. Contact Plated:  
Contact Aear Plated: Gold Flash Over 30u" Pd-Ni  
Solder Aear Plated: 100~200u" Tin Plated  
Underplated: 80u" Nickel Plated
  - ⚠ 4. Shell Material: SPCC
  - 5. Shell Plated: Tin Plated
  - 6. Current Rating: 1.8 Amps Max.
  - 7. Voltage Rating: 250V AC.
  - 8. Contact Resistance: 30M ohm Max.
  - 9. Insulation Resistance: 100M ohms Min.
  - 10. Dielectric Withstanding Voltage: 100V AC/minute
  - 11. Operating Temperature: -20°C to +85°C



Pin Assignments	
Pin No.	Signal Name
1	VBUS
2	D-
3	D+
4	GND
5	StdA_SSRX-
6	StdA_SSRX+
7	GND_DRAIN
8	StdA_SSTX-
9	StdA_SSTX+
Shell	Shield

Description  
USB3.0 A Plug, Middle Board Mount SMD Type. Offset 2.65mm ,Gold Flash Over 30u" Pd-Ni

UNLESS OTHERWISE SPECIFIED TOLERANCE	
ANG.	±5°
0.	±0.3
.0	±0.25
.00	±0.20

SCALE:	AS SHOWN	UNIT:	mm
DRAWN	Willis	DATE	2010/05/06
CHECKED	Angel	DATE	2010/05/06
APPROVED	Ken	DATE	2010/05/06



DRAWN NAME:  
USB 3.0 A Plug SMT Type  
Middle Board Mount .Offset 2.65mm

REV.	DESCRIPTION	DATE	APPROVED	SIZE	REV.	FILE NAME:
1	Revise: Solder Pad, Housing Material, Shell Plated, PCB Layout	2010/05/06	Ken	A4		USB-A-SG03P