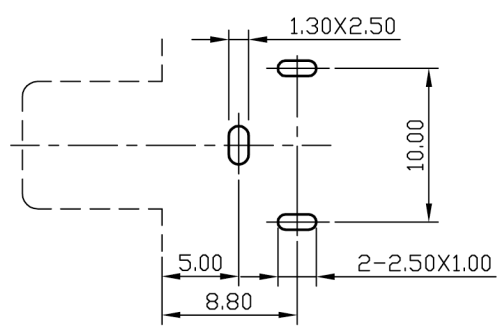
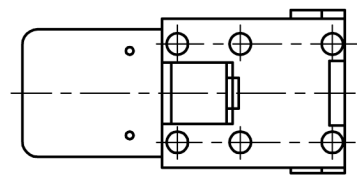
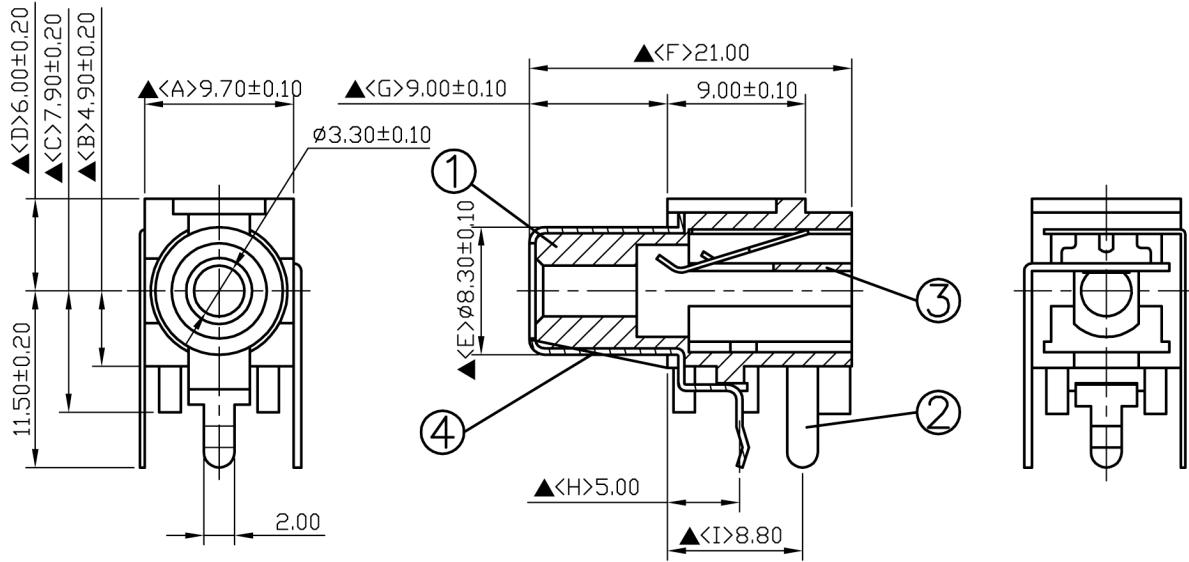


SCHEMATIC	
MODEL NO	V



Pin Hole Layout  
(Jack Bottom View)

4.	Barrel (Sleeve)	0.4T Brass	1	Nickel Plated
3.	Spring Terminal	0.3T Phosphor Bronze	1	Silver Plated
2.	Break Terminal	0.5T Brass	1	Silver Plated
1.	Plastic Body	Thermoplastic	1	
NO.	Description	Material	Q'TY	Finish

SPECIFICATIONS:  
 Contact Resistance : 30mΩ max  
 Insulation Resistance : 100MΩ min. at DC 500V  
 Dielectric Withstand Voltage : AC 500V for one minute  
 Remark: ▲ : The Most Important Dimension

RoHS Compliant For Reference  
 僅供參考



DATE	DWN	CHKD	APVD	MANAGER
06.16.2008				

PART NAME : PIN JACK		PART NUMBER: SCJ-0358 _N		VERSION:4.0
TOLERANCE :±0.3mm UNLESS OTHERWISE SPECIFIED			UNIT:mm	SCALE:1/1