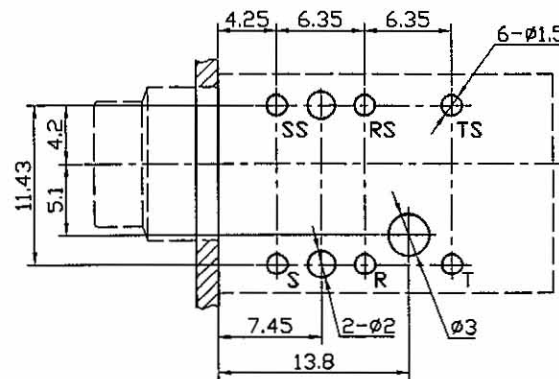
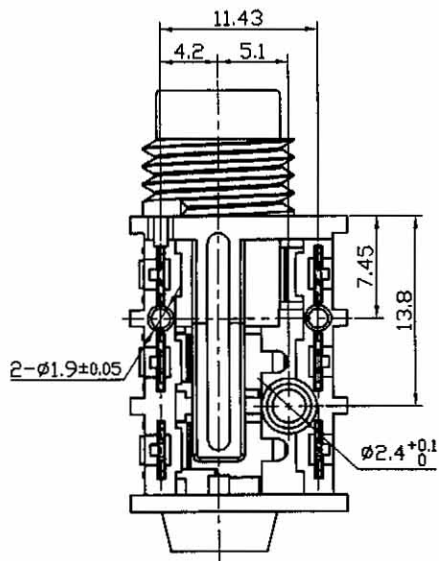
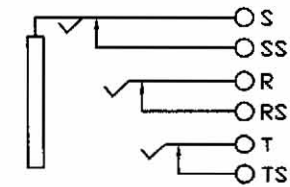


3D VIEW



PCB MOUNTING HOLES
(TOP VIEW) Tolerance: ±0.05



CIRCUIT DIAGRAM

Dimensions unless otherwise specified

Size Range	Tolerance
$L \leq 1$	± 0.15
$1 < L \leq 8$	± 0.20
$8 < L \leq 23$	± 0.25
$23 < L \leq 50$	± 0.30
ANGAL	$\pm 1^\circ$

3	FLAT TERMINAL	3	H62Y	t=0.4	Ag-PLATED, RoHS COMPLIANT	
2	SPRING TERMINAL	3	QSn6.5-0.1T	t=0.4		
1	HOUSING	1	PA66 G10 (BLACK)			RoHS COMPLIANT
NO.	PART NAME	Q'TY	MATERIAL (THICK, COLOR)		REMARK	
					SCALE: 1.5:1	NAME: PHONE JACK
					VIEW:	CAT.NO. SCJ-0662
					UNIT: mm	