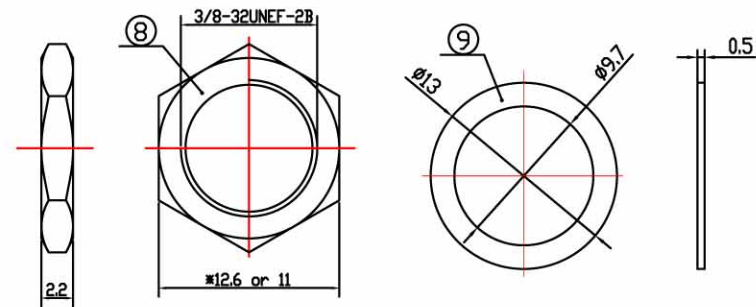
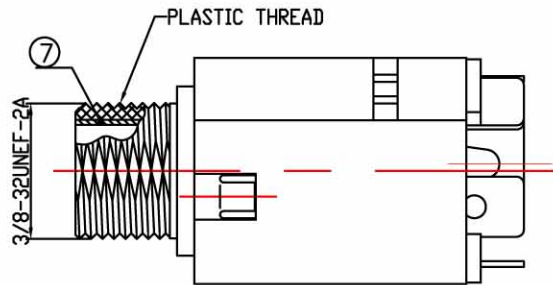
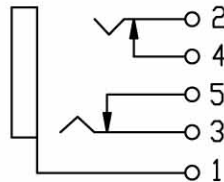


PCB MOUNTING HOLES(±0.1)
(VIEWED FROM COPPER SIDE)



HEX NUT

FLAT WASHER



CIRCUIT DIAGRAM

9	FLAT WASHER	1	STEEL t=0.5	Ni-PLATED (Cu:2-3um, Ni:2-3um)	RoHS COMPLIANT
8	HEX NUT	1	H59 (COPPER ALLOY)		RoHS COMPLIANT
7	SLEEVE	1	H59 (COPPER ALLOY)		RoHS COMPLIANT
6	BODY	1	PA66 G20 94HB BLACK		RoHS COMPLIANT
5	5# TERMINAL	1	H62Y t=0.4 (C2680R-H)		RoHS COMPLIANT
4	4# TERMINAL	1	H62Y t=0.4 (C2680R-H)	Ag-PLATED	RoHS COMPLIANT
3	3# TERMINAL	1	QSn6.5-0.1Y t=0.35 (C5210R-H)	Cu:2-3um, Ag:0.3um	RoHS COMPLIANT
2	2# TERMINAL	1	QSn6.5-0.1Y t=0.4 (C5210R-H)		RoHS COMPLIANT
1	1# TERMINAL	1	QSn6.5-0.1Y t=0.35 (C5191R-H)	CuSn-PLATED	RoHS COMPLIANT
NO.	PART NAME	Q'TY	MATERIAL	FINISH	REMARK

△ X					ANGULAR	±5°
△ X					L ≤ 4	±0.2
△ X					4 < L ≤ 16	±0.3
△ X					16 < L ≤ 63	±0.4
MARK	DESCRIPTION	DATE	REVISED	APPROVED	63 < L	±0.5
REVISIONS						UNSPECIFIED TOLERANCES



SCALE: N/A	MODEL TYPE: Ø6.35 PHONE JACK	
VIEW:	PART NO.: SCJ-0634HA	
UNIT: mm	DWG NO.:	
SIZE: A4		
WEIGHT	SHEET	REVISION
N/A	1/1	A0